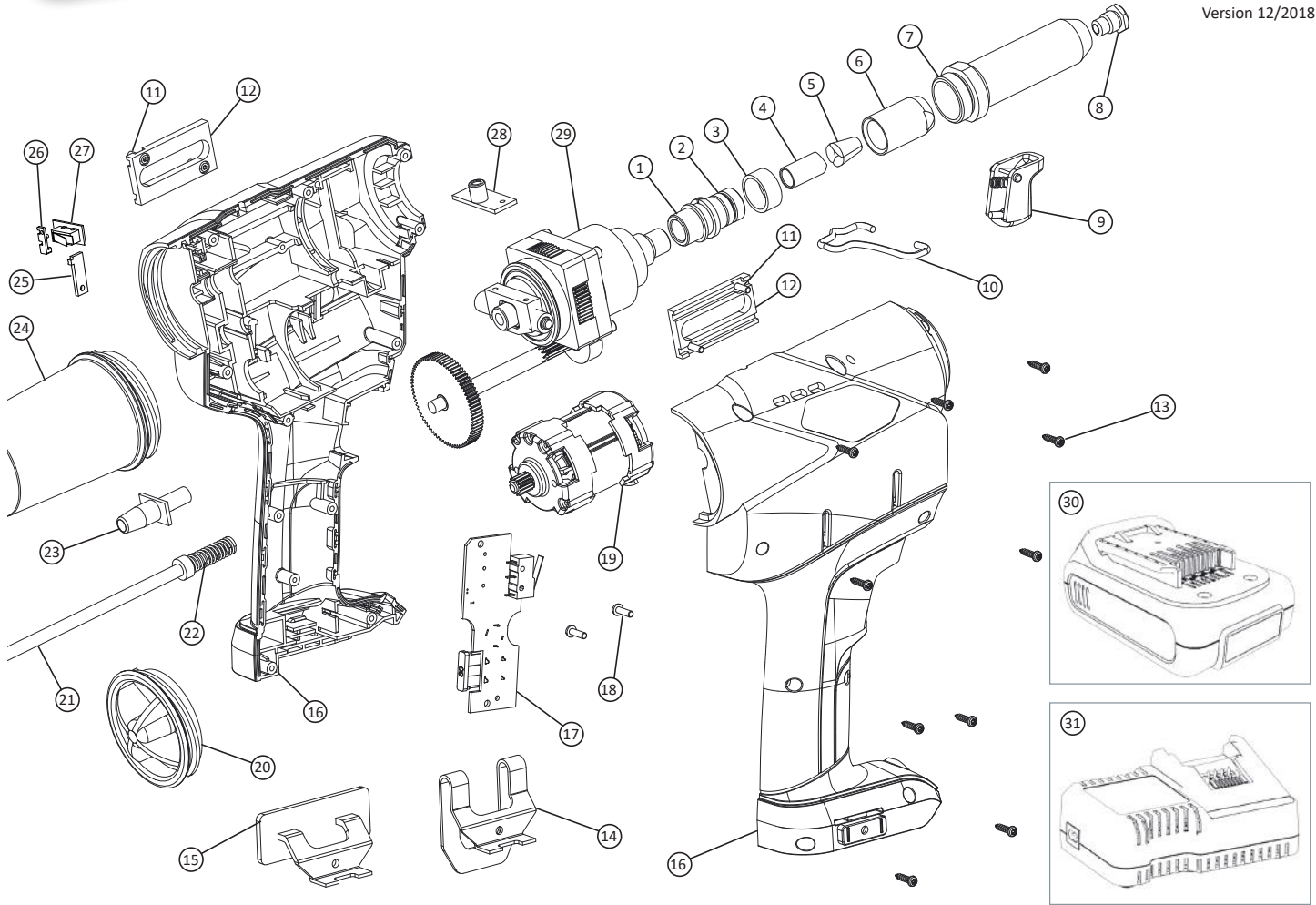




VVG Befestigungstechnik  
Ein Unternehmen der HONSEL-Gruppe

Version 12/2018



1	321.300.200.054	Spacer
2	321.300.100.010	Scraper
3	321.300.200.069	Extension sleeve
4	321.300.200.017	Guide sleeve
5	321.120.000.011	Clamping jaws (1 set = 3 pcs.)
6	321.300.200.016	Clamping sleeve
7	321.300.200.015	Front sleeve
8a	321.120.000.124	Standard nosepiece 4.0 mm
8b	321.120.000.125	Standard nosepiece 4.8/5.0 mm
8c	321.120.000.126	Standard nosepiece 6.0 mm
8d	321.120.000.127	Standard nosepiece 6.4 mm
9	321.200.000.033	Trigger and pressure spring
10	321.401.000.029	Hanger
11	321.300.100.038	Screw for bearing
12	321.300.200.007	Gear box bearing
13	321.300.100.041	Housing screws (1 set = 10 pcs.)
14	321.200.000.006	Belt clip
15	321.200.000.005	Name plate
16	321.501.000.032	Housing (left + right)
17	321.501.000.044	Electronic assembly complete
18	321.300.100.039	Screw for Electronic assembly

19	321.501.000.001	Motor BLDC
20	321.401.000.004	Cover cap
21	321.300.200.049	Mandrel discharge tube
22	321.300.200.021	Pressure spring
23	321.300.200.043	Plastic tube
24a	321.200.100.031	Mandrel container S (5.5 cm)
24b	321.300.100.031	Mandrel container L (8.0 cm)
24c	321.401.000.030	Mandrel container L+ (8.0 cm)
24d	321.501.000.030	Mandrel container XL+ (11.0 cm)
25	321.200.000.051	Mandrel safety switch - cover plate
26	321.200.000.050	Mandrel safety switch - lever and spring
27	321.401.000.052	Mandrel safety switch - switch and cabel
28	321.300.100.036	Magnet holder with magnet
29	320.300.200.000	Gear box complete
no fig.	321.300.200.046	Mounting wrench
30	321.500.000.021	Li-Ion RivdomPLUS battery 20 V/2.0 Ah
no fig.	321.500.000.022	Li-Ion RivdomPLUS battery 20 V/4.0 Ah
31	321.500.000.001	Universal quick charger 220 V (12 V/16 V/20 V)
no fig.	321.300.200.072	Extendet front sleeve (200 mm)