





For handling smaller quantities, hand riveting tools are still indispensable.

From sturdy hand pliers for do-it-yourself or repair works to universal MULTI-tools for all blind rivet types to powerful specialist with integrated hydraulic system - we present all different versions on the following pages. Many models are real classic - now revised in a new, modernized appearance!



BZ 2 Hand Tool for Blind Rivets

> with opening spring

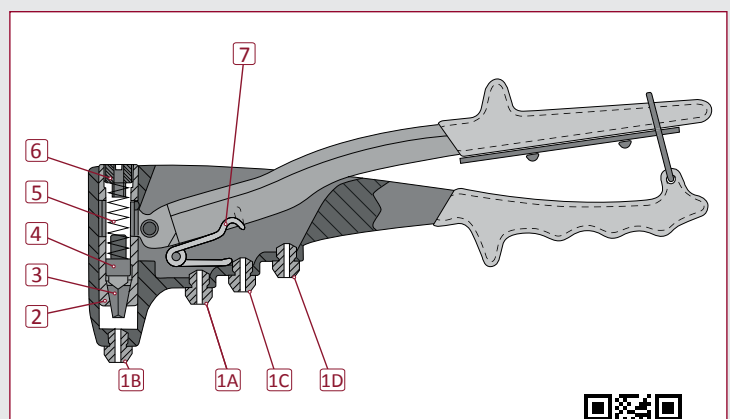


**Good ergonomics,
brilliant transformation**

	2,4	3,0	3,2	4,0	4,8	5,0	6,0	6,4	8,0
	Aluminium								
	Steel								
	Stainless steel								
	Copper alloys								
	0,56 kg		Stroke: 8 mm			Blister	incl. 4 nose pieces		
Special nose pieces ► page 205									
Item no.: 310.002.000.000									

Spare Parts for BZ 2

No.	Spare part	Item no.
1A	BZ 2 nose piece 2,4 mm	311.002.000.024
1B	BZ 2 nose piece 3,0/3,2 mm	311.002.000.123
1C	BZ 2 nose piece 4,0 mm	311.002.000.124
1D	BZ 2 nose piece 4,8/5,0 mm	311.002.000.125
2	BZ 2 clamping sleeve	311.002.000.040
3	BZ 2 clamping jaws	311.002.000.132
4	BZ 2 guide sleeve	311.002.000.006
5	BZ 2 pressure spring	311.002.000.007
6	BZ 2 clamping screw	311.002.000.008
7	BZ 2 leg spring	311.002.000.101



You can also use our interactive product viewer
for fast search for the correct spare part.





with opening spring <



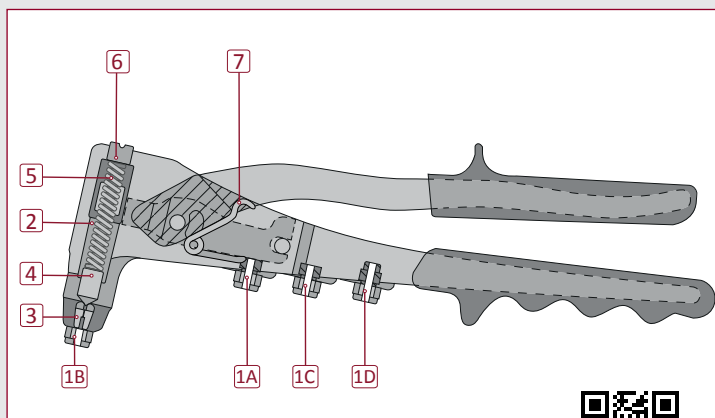
Classic tool - Sturdy and reliable



	2,4	3,0	3,2	4,0	4,8	5,0	6,0	6,4	8,0	
	Aluminium									
	Steel									
	Stainless steel									
	Copper alloys									
	0,63 kg		Stroke: 9,5 mm			Blister				Incl. 3 nose pieces
Special nose pieces ▶ page 205										
Item no.: 310.044.000.000										

With retension mechanism for the rivet mandrel.
The mandrel stays in the tool in all phases of the riveting process, so that the tool can easily be handled with one hand, while the other hand fixes the working piece.

Spare Parts for BZ 44



No.	Spare part	Item no.
(1A)	BZ 44 nose piece 2,4 mm	311.002.000.024
1B	BZ 44 nose piece 3,0/3,2 mm	311.002.000.123
1C	BZ 44 nose piece 4,0 mm	311.002.000.124
1D	BZ 44 nose piece 4,8/5,0 mm	311.002.000.125
2	BZ 44 clamping sleeve	311.044.000.003
3	BZ 44 clamping jaws	311.002.000.132
4	BZ 44 guide sleeve	311.044.000.005
5	BZ 44 pressure spring	311.044.000.006
6	BZ 44 clamping screw	311.044.000.007
7	BZ 44 leg spring	311.044.000.102

You can also use our interactive product viewer for fast search for the correct spare part.





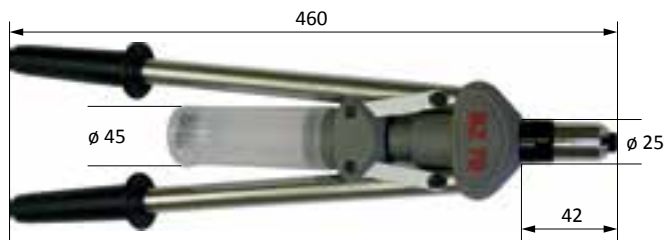
BZ 70/72 Lever Tool for Blind Rivets



Lever tool BZ 70 in impact-resistant plastic case.

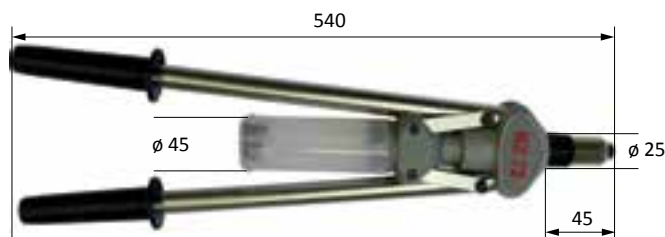


Replacement nose pieces in locked box (integrated) in the mandrel container.



BZ 70

	2,4	3,0	3,2	4,0	4,8	5,0	6,0	6,4	8,0
	Aluminium								
	Steel								
	Stainless steel								
	Copper alloys								
	1,5 kg		Stroke: 14,5				Case	incl. 4 nose pieces	
Special nose pieces on request								max. mandrel- ϕ : 3,2 mm	
Item no.: 310.070.000.000									



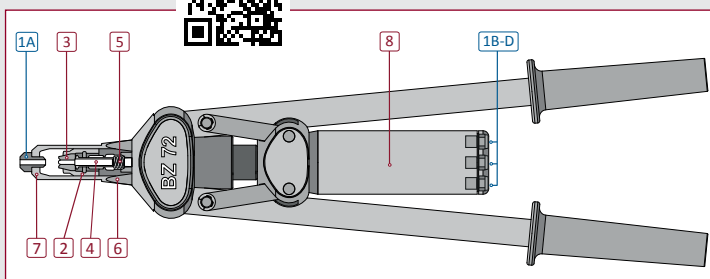
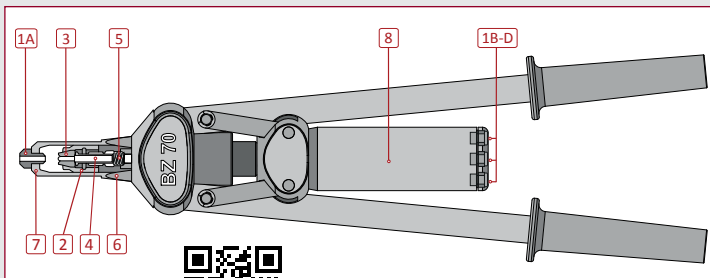
BZ 72

	2,4	3,0	3,2	4,0	4,8	5,0	6,0	6,4	8,0
	Aluminium								
	Steel								
	Stainless steel								
	Copper alloys								
	1,65 kg		Stroke: 14,5				Case	incl. 4 nose pieces	
Special nose pieces on request								max. mandrel- ϕ : 4,0 mm	
Item no.: 310.072.000.000									

Manual handling of high strength rivets on request!

Spare Parts for BZ 70/72

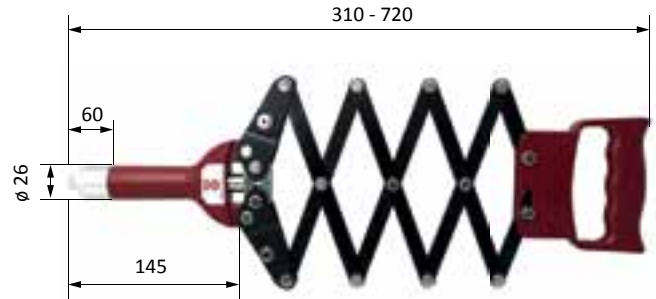
No.	Spare part	Item no.
1A	BZ 70 nose piece 3,0/3,2 mm	311.070.000.001
1B/1A	BZ 70/72 nose piece 4,0 mm	311.070.000.002
1C/1B	BZ 70/72 nose piece 4,8/5,0 mm	311.070.000.003
1D/1C	BZ 70/72 nose piece 6,0 mm	311.070.000.004
1D	BZ 72 nose piece 6,4 mm	311.072.000.001
2	BZ 70/72 clamping sleeve	311.070.000.008
3	BZ 70/72 clamping jaws	311.070.000.006
4	BZ 70/72 guide sleeve	311.070.000.009
5	BZ 70/72 pressure spring	311.070.000.010
6	BZ 70/72 lock nut	311.070.000.011
7	BZ 70/72 front sleeve	311.070.000.005
8	BZ 70/72 mandrel collector	311.070.000.007



BZ 70/72



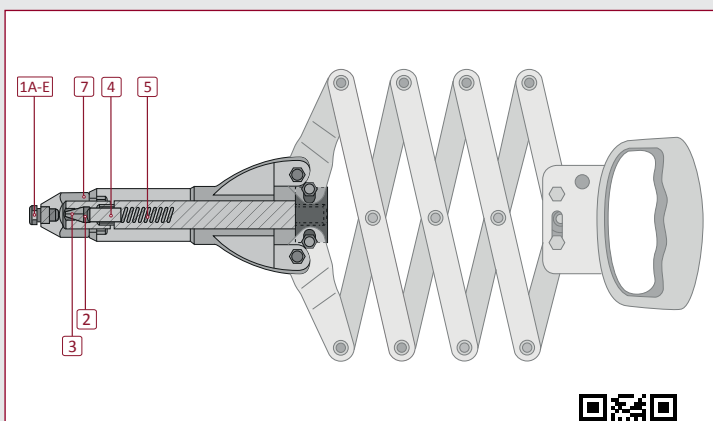
	2,4	3,0	3,2	4,0	4,8	5,0	6,0	6,4	8,0
	Aluminium								
	Steel								
	Stainless steel								
	Copper alloys								
	2,0 kg		Stroke: 11 mm		Carton		incl. 4 nose pieces		
	Special nose pieces on request						max. mandrel- ϕ : 3,8 mm		
Item no.: 310.058.000.000									



Nose pieces for changing inserted in the tool.



Spare Parts for BZ 58



No.	Spare part	Item no.
1A	BZ 58 nose piece 3,0/3,2 mm	311.100.000.123
1B	BZ 58 nose piece 4,0 mm	311.002.000.124
1C	BZ 58 nose piece 4,8/5,0 mm	311.002.000.125
1D	BZ 58 nose piece 6,0 mm	311.500.000.126
1E	BZ 58 nose piece 6,4 mm	311.500.000.127
2	BZ 58 clamping sleeve	311.500.000.004
3	BZ 58 clamping jaws	311.500.000.005
4	BZ 58 guide sleeve	311.500.000.006
5	BZ 58 pressure spring	311.500.000.007
7	BZ 58 front sleeve	311.058.002.006

You can also use our interactive product viewer for fast search for the correct spare part.



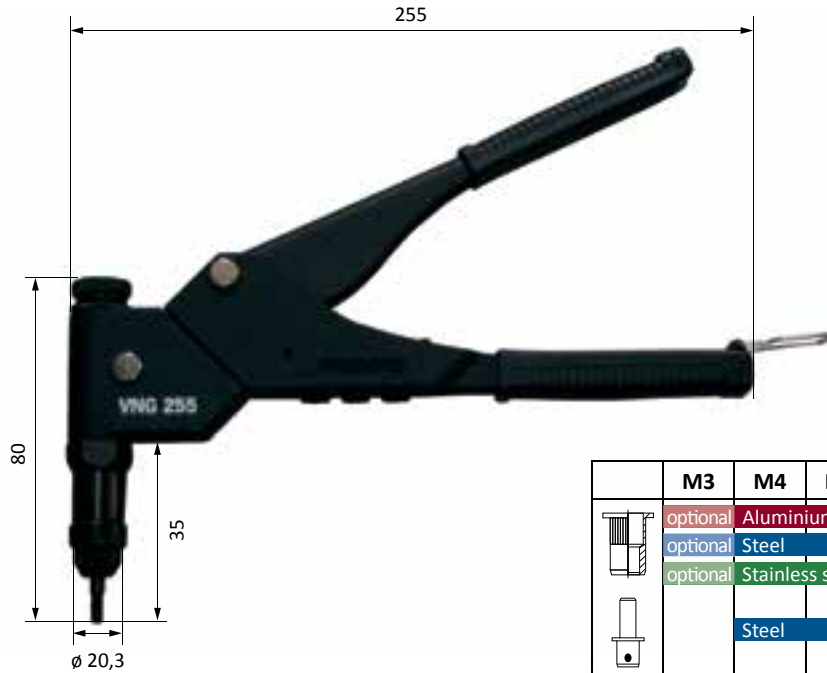


VNG 255

Hand Tool for Blind Rivet Nuts and Blind Rivet Bolts



- > with assortment
- > 360° rotating head



VNG 255 in impact-resistant plastic case.

	M3	M4	M5	M6	M8	M10	M12	
	optional	Aluminium						
	optional	Steel						
			optional	Stainless steel				
		Steel						
	0,9 kg		Plastic case		Case dimensions 325 x 250 x 50 mm			
Content:					Assortment:			
<ul style="list-style-type: none"> each with 1 piece conversion kit for blind rivet nuts M4, M5, M6; each with 1 piece threaded sleeve for blind rivet bolts M4, M5, each with 1 piece jaw wrench AF 22, AF 24, 1 piece hex head wrench AF 6 					<ul style="list-style-type: none"> each 25 Blind Rivet Nuts Universal M4, M5 50 Blind Rivet Nuts Universal M6 each 25 RIFBOLT® Blind Rivet Bolts M4x2010 and M5x2010 			
continuous pivotable about 360°								
Item no.: 310.255.000.000								



Including set of blind rivets and blind rivet nuts. 100 pieces refill packs below.

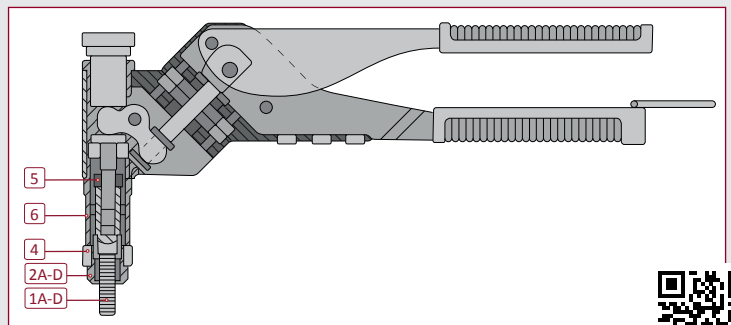
Possible positions to work:



Spare Parts for VNG 255

No.	Spare part	Item no.
1A	VNG 255 mandrel M3	311.800.000.030
1B	VNG 255 mandrel M4	311.800.000.040
1C	VNG 255 mandrel M5	311.800.000.050
1D	VNG 255 mandrel M6	311.800.000.060
2A	VNG 255 nose piece M3	311.800.000.203
2B	VNG 255 nose piece M4	311.800.000.204
2C	VNG 255 nose piece M5	311.800.000.205
2D	VNG 255 nose piece M6	311.800.000.206
4	VNG 255 lock nut M18x1	321.801.000.074
5	VNG 255 lock nut M8x1	321.801.000.075
6	VNG 255 front sleeve	311.255.000.020
3A*	VNG 255 threaded sleeve M4	321.800.001.004
3B*	VNG 255 threaded sleeve M5	321.800.001.005

* without illustration

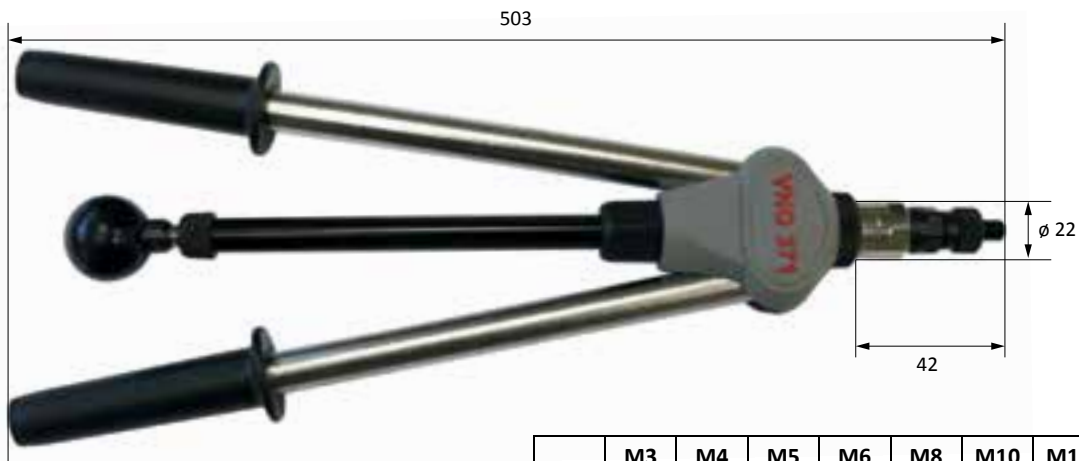


You can also use our interactive product viewer for fast search for the correct spare part.



100 pieces refill packs

Blind Rivet Nuts Universal small countersunk head Steel M4	10.870.400.000/31
Blind Rivet Nuts Universal small countersunk head Steel M5	10.870.500.000/31
Blind Rivet Nuts Universal small countersunk head Steel M6	10.870.600.000/31
Blind Rivet Bolts Steel dome head M4x2010	10.880.042.010/31
Blind Rivet Bolts Steel dome head M5x2010	10.880.052.010/31



VNG 371 in impact-resistant plastic case.



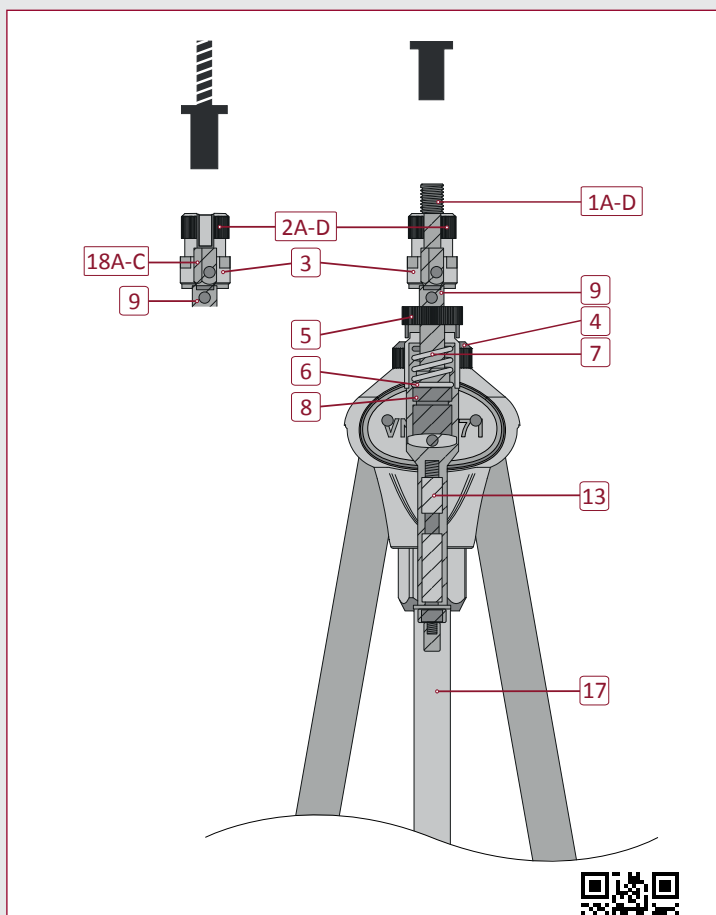
Quick change system for the mandrel.

	M3	M4	M5	M6	M8	M10	M12	
			Aluminium					
			Steel					
			Stainless steel					
				Steel				
	1,2 kg		Plastic case		Case dimensions 595 x 270 x 60 mm			
Content:								
<ul style="list-style-type: none"> • each with 1 piece conversation kit for blind rivet nuts M5, M6, M8, M10 • each with 1 piece threaded sleeve for blind rivet bolts M5, M6, M8 • each with 1 piece jaw wrench AF 10, AF 14 • 1 piece hex head wrench AF 6 								
Item no.: 310.371.000.000								

Spare Parts for VNG 371

No.	Spare part	Item no.
1A	VNG 371 mandrel M5	311.371.000.005
1B	VNG 371 mandrel M6	311.371.000.006
1C	VNG 371 mandrel M8	311.371.000.007
1D	VNG 371 mandrel M10	311.371.000.008
2A	VNG 371 nose piece M5	311.371.000.001
2B	VNG 371 nose piece M6	311.371.000.002
2C	VNG 371 nose piece M8	311.371.000.003
2D	VNG 371 nose piece M10	311.371.000.004
3	VNG 371 lock nut nose piece	311.371.000.012
4	VNG 371 stroke adjusting cap	311.371.000.013
5	VNG 371 plastic knurled nut	311.371.000.015
6	VNG 371 o-ring	311.371.000.014
7	VNG 371 pressure spring	311.371.000.016
8	VNG 371 housing tube	311.371.000.017
9	VNG 371 connection sleeve	311.371.000.025
13	VNG 371 feed rod	311.371.000.030
17	VNG 371 stranded rod	311.371.000.020
18A	VNG 371 threaded sleeve M5	311.371.000.009
18B	VNG 371 threaded sleeve M6	311.371.000.010
18C	VNG 371 threaded sleeve M8	311.371.000.011

Spare part	Item no.
Mandrel M6 Folding blind rivet nuts	311.371.000.040
Mandrel M8 Folding blind rivet nuts	311.371.000.041



You can also use our interactive product viewer for fast search for the correct spare part.



VNG 371

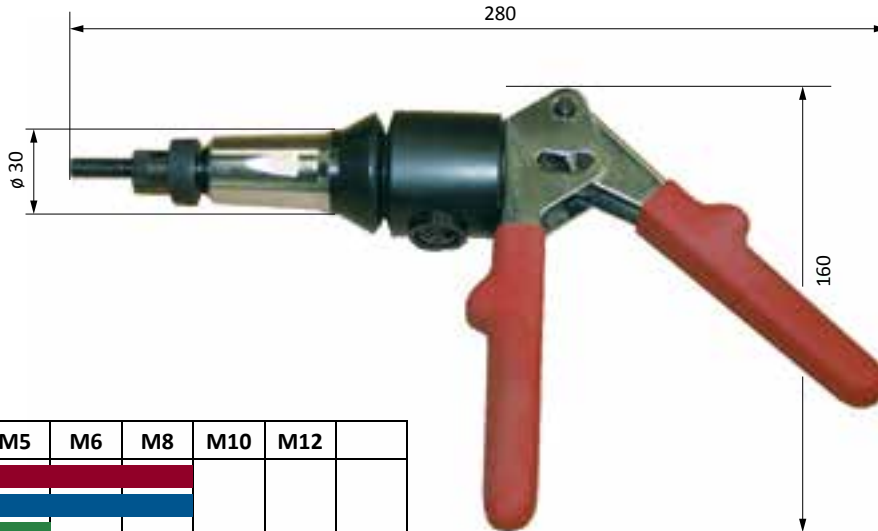


VNG 152

Hand Tool for Blind Rivet Nuts and Blind Rivet Bolts



> with hydraulic assistance



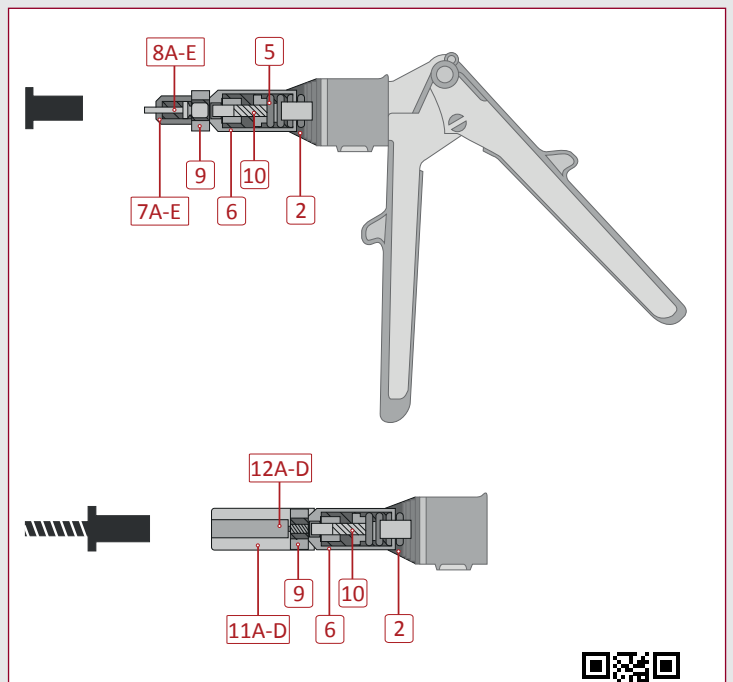
	M3	M4	M5	M6	M8	M10	M12
	Aluminium						
	Steel						
	Stainless steel						
		Steel					
Plastic case			Case dimensions 290 x 195 x 54 mm				
0,6 kg			with hydraulic component				
Content:							
<ul style="list-style-type: none"> each with 1 piece conversation kit for blind rivet nuts M3-M8 each with 1 piece conversation kit for blind rivet bolts M4-M8 							
Item no.: 310.152.000.000							



VNG 152 in impact-resistant plastic case.

Spare Parts for VNG 152

No.	Spare part	Item no.
2	VNG 152 housing cover	311.151.000.009
5	VNG 152 pressure spring	311.151.000.010
6	VNG 152 front sleeve	311.151.000.001
7A	VNG 152 nose piece BNM M3	311.151.002.003
7B	VNG 152 nose piece BNM M4	311.151.002.004
7C	VNG 152 nose piece BNM M5	311.151.002.005
7D	VNG 152 nose piece BNM M6	311.151.002.006
7E	VNG 152 nose piece BNM M8	311.151.002.008
8A	VNG 152 mandrel M3	311.151.003.003
8B	VNG 152 mandrel M4	311.151.003.004
8C	VNG 152 mandrel M5	311.151.003.005
8D	VNG 152 mandrel M6	311.151.003.006
8E	VNG 152 mandrel M8	311.151.003.008
9	VNG 152 adapter for nose piece	311.151.000.008
10	VNG 152 adapter for mandrel	311.151.000.007
11A	VNG 152 nose piece Rifbolt M4	311.151.007.004
11B	VNG 152 nose piece Rifbolt M5	311.151.007.005
11C	VNG 152 nose piece Rifbolt M6	311.151.007.006
11D	VNG 152 nose piece Rifbolt M8	311.151.007.008
12A	VNG 152 threaded sleeve Rifbolt M4	311.151.004.004
12B	VNG 152 threaded sleeve Rifbolt M5	311.151.004.005
12C	VNG 152 threaded sleeve Rifbolt M6	311.151.004.006
12D	VNG 152 threaded sleeve Rifbolt M8	311.151.004.008



You can also use our interactive product viewer for fast search for the correct spare part.

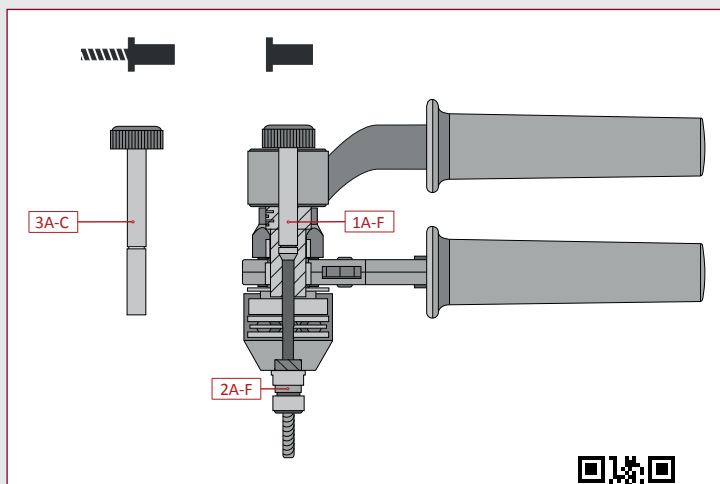




Case with aluminium appearance
incl. foam-pad inlay

	M3	M4	M5	M6	M8	M10	M12	
		optional Aluminium						
		optional Steel						
		optional Stainless steel						
			Steel					
	1,1 kg	Case in aluminium optics			Case dimensions 325 x 250 x 50 mm			
Content:								
<ul style="list-style-type: none"> • each with 1 piece conversation kit for blind rivet nuts M5-M12 • each with 1 piece threaded sleeve for blind rivet bolts M5- M8 								
Item no.: 310.612.000.000								

Spare Parts for VNG 612



You can also use our interactive product viewer
for fast search for the correct spare part.



No.	Spare part	Item no.
1A	VNG 612 mandrel M4	311.612.000.040
1B	VNG 612 mandrel M5	311.612.000.050
1C	VNG 612 mandrel M6	311.612.000.060
1D	VNG 612 mandrel M8	311.612.000.080
1E	VNG 612 mandrel M10	311.612.000.100
1F	VNG 612 mandrel M12	311.612.000.120
2A	VNG 612 nose piece M4	311.800.000.204
2B	VNG 612 nose piece M5	311.800.000.205
2C	VNG 612 nose piece M6	311.800.000.206
2D	VNG 612 nose piece M8	311.800.000.208
2E	VNG 612 nose piece M10	311.800.000.210
2F	VNG 612 nose piece M12	311.800.000.212
3A	VNG 612 threaded sleeve M5	311.612.000.205
3B	VNG 612 threaded sleeve M6	311.612.000.206
3C	VNG 612 threaded sleeve M8	311.612.000.208

VNG 612



MULTI 1

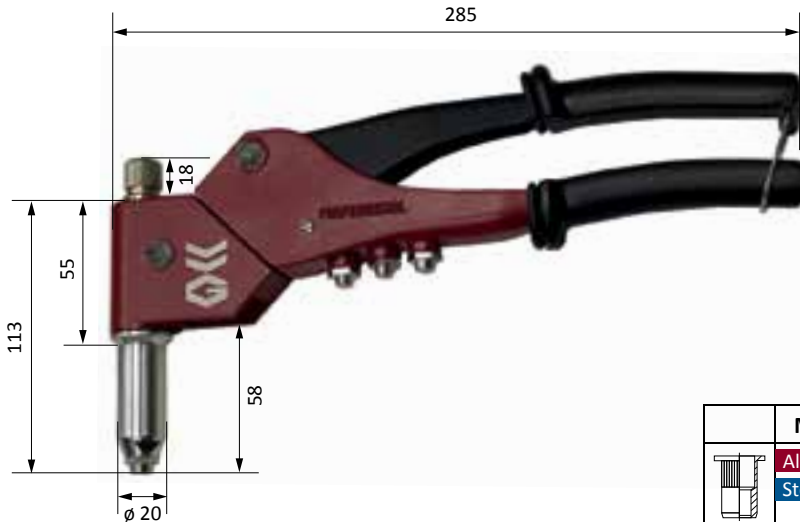
Hand Tool for Blind Rivets, Blind Rivet Nuts and Blind Rivet Bolts



> 360° rotating head



MULTI 1 in impact-resistant plastic case.



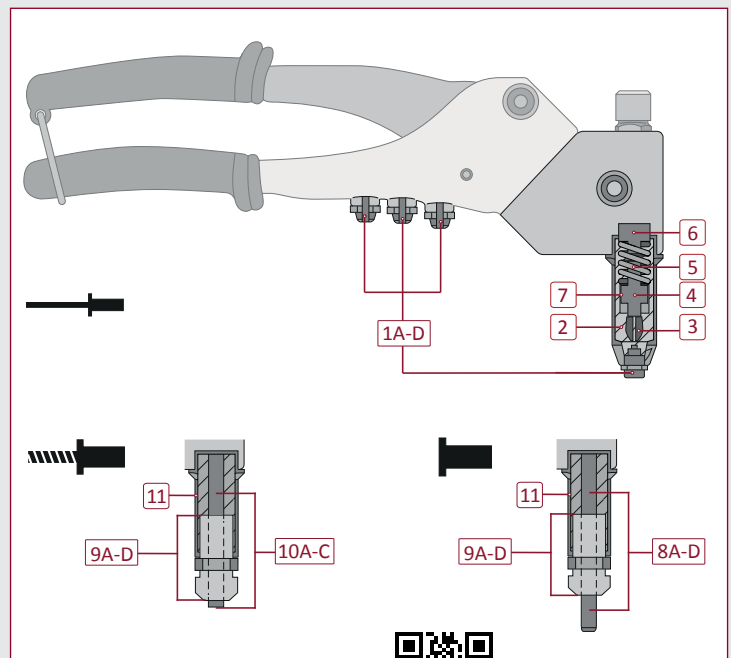
	2,4	3,0	3,2	4,0	4,8	5,0	6,0	6,4
	Aluminium							
	Steel							
	Stainless Steel							
	Copper alloys							



	M3	M4	M5	M6	M8	M10	M12
	Aluminium						
	Steel						
	Steel						
	Plastic case				Case dimensions 360 x 185 x 50 mm		
	0,56 kg				continuous pivotable about 360°		
Content:							
<ul style="list-style-type: none"> • each with 1 nose piece for blind rivets 2,4; 3,0/3,2mm; 4,0 mm; 4,8/5,0mm • each with 1 piece conversation kit for blind rivet nuts M3-M6 • each with 1 piece threaded sleeve for blind rivet bolts M4-M6, • each with 1 piece jaw wrench AF 15, /19, AF 21/17. AF 5/8 							
Item No.: 310.100.000.000							

Spare Parts for MULTI 1

No.	Spare part	Item no.
1A	MULTI 1 nose piece 2,4mm	311.100.000.240
1B	MULTI 1 nose piece 3,0/3,2mm	311.100.000.123
1C	MULTI 1 nose piece 4,0mm	311.100.000.124
1D	MULTI 1 nose piece 4,8/5,0mm	311.100.000.125
2	MULTI 1 clamping sleeve	311.100.000.025
3	MULTI 1 clamping jaws	311.100.000.026
4	MULTI 1 guide sleeve	311.100.000.021
5	MULTI 1 pressure spring	311.100.000.022
6	MULTI 1 clamping screw	311.100.000.023
7	MULTI 1 front sleeve blind rivet	311.100.000.019
8A	MULTI 1 mandrel M3	311.100.003.003
8B	MULTI 1 mandrel M4	311.100.003.004
8C	MULTI 1 mandrel M5	311.100.003.005
8D	MULTI 1 mandrel M6	311.100.003.006
9A	MULTI 1 nose piece M3	311.100.002.003
9B	MULTI 1 nose piece M4	311.100.002.004
9C	MULTI 1 nose piece M5	311.100.002.005
9D	MULTI 1 nose piece M6	311.100.002.006
10A	MULTI 1 threaded sleeve M4	311.100.004.004
10B	MULTI 1 threaded sleeve M5	311.100.004.005
10C	MULTI 1 threaded sleeve M6	311.100.004.006
11	MULTI 1 front sleeve blind rivet nut	311.100.000.119



You can also use our interactive product viewer for fast search for the correct spare part.



Lever Tool for Blind Rivets, Blind Rivet Nuts and Blind Rivet Bolts

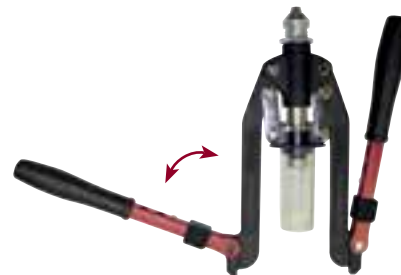
fold-away arms <



MULTI 5 with folded-in arms in impact-resistant plastic case.

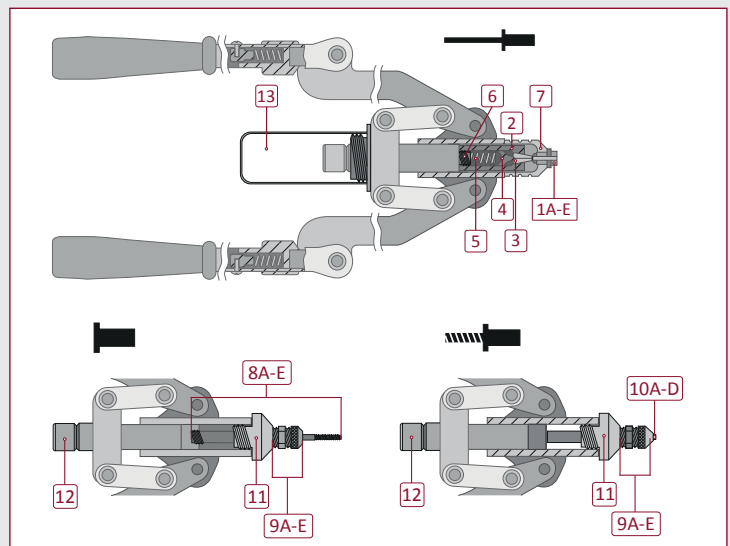
	M3	M4	M5	M6	M8	M10	M12	
		Aluminium						
		Steel						
		Steel						
Plastic case		Case dimensions 385 x 240 x 55 mm						
1,9 kg		fold-away arms						
Content:								
<ul style="list-style-type: none"> each with 1 nose piece for blind rivets 3,0/3,2mm; 4,0mm; 4,8/5,0mm; 6,0mm; 6,4mm each with 1 piece conversation kit for blind rivet nuts M4-M10 each with 1 piece threaded sleeve for blind rivet bolts M4-M8, 								
Item No.: 310.500.000.000								

	2,4	3,0	3,2	4,0	4,8	5,0	6,0	6,4
		Aluminium						
		Steel						
		Stainless steel						
		Copper alloys						



Spare Parts for MULTI 5

No.	Spare part	Item no.
1A	MULTI 5 nose piece 3,0/3,2mm	311.100.000.123
1B	MULTI 5 nose piece 4,0mm	311.100.000.124
1C	MULTI 5 nose piece 4,8/5,0mm	311.100.000.125
1D	MULTI 5 nose piece 6,0mm	311.500.000.126
1E	MULTI 5 nose piece 6,4mm	311.500.000.127
2	MULTI 5 clamping sleeve	311.500.000.004
3	MULTI 5 clamping jaws	311.500.000.005
4	MULTI 5 guide sleeve	311.500.000.006
5	MULTI 5 pressure spring	311.500.000.007
6	MULTI 5 clamping screw	311.500.000.008
7	MULTI 5 front sleeve blind rivet	311.500.000.003
8A	MULTI 5 mandrel M4	311.100.003.004
8B	MULTI 5 mandrel M5	311.100.003.005
8C	MULTI 5 mandrel M6	311.100.003.006
8D	MULTI 5 mandrel M8	311.500.003.008
8E	MULTI 5 mandrel M10	311.500.003.010
9A	MULTI 5 nose piece M4	311.100.002.004
9B	MULTI 5 nose piece M5	311.100.002.005
9C	MULTI 5 nose piece M6	311.100.002.006
9D	MULTI 5 nose piece M8	311.500.002.008
9E	MULTI 5 nose piece M10	311.500.002.010
10A	MULTI 5 threaded sleeve M4	311.100.004.004
10B	MULTI 5 threaded sleeve M5	311.100.004.005



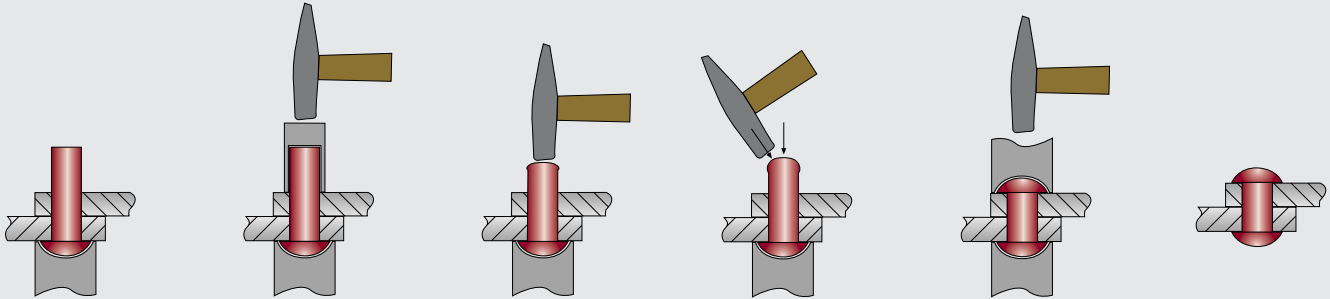
You can also use our interactive product viewer for fast search for the correct spare part.

No.	Spare part	Item no.
10C	MULTI 5 threaded sleeve M6	311.100.004.006
10D	MULTI 5 threaded sleeve M8	311.500.004.008
11	Multi 5 front sleeve	311.500.000.025
12	Multi 5 feed rod	311.500.000.009
13	MULTI 5 mandrel collector	311.500.000.010



Setting of industrial rivets according to DIN

i There are many different possibilities to handle industrial rivets. From manual deformation with simple **riveting dies** to **hand tools and toggle presses** to individually constructed **special machines**.



1. Joining the component

2. Positioning and fixing by rivet head puller

3. Compressing the shaft / pre-forming of the closing head

4. Final forming with rivet head setting-tool

DIN 6435 made from hexagon steel safety tempering, shaft equally hardened; delivered in plastic holder



Set for rivet head setting
Item No.: 18.509.000.002



Set for rivet head pulling
Item No.: 18.509.000.001



Scope of delivery each: 5 rivet-dies 2,0 - 3,0 - 4,0 - 5,0 and 6,0 mm ϕ



Axial Hand Tool

Setting of axial clamps

i Fix our axial clamp rings and caps quick and safe with this compatible tool.

It helps to avoid the damage of the fastener and guarantees the steady power transmission.



For axial Clamp Rings

Outside- ϕ	No.
15,0 mm	18.509.000.150
18,0 mm	18.509.000.180
25,0 mm	18.509.000.250

For axial Clamp Caps

Outside- ϕ	No.
12,0 mm	18.509.000.120
16,0 mm	18.509.000.160
20,0 mm	18.509.000.200
27,0 mm	18.509.000.270
30,0 mm	18.509.000.300



