





Rivdom. The cordless battery-powered riveter.

Since its successful launch in 2011, **Rivdom** is the **innovative and modern solution for independant blind rivet workmanship** - popular in craft and industry.

Rivdom convinces through outstanding performance values, its ergonomic design for comfortable daily handling, its large scope of delivery as well as interesting additional options and its extraordinary price-performance ratio. All batteries are supplied with a **comfortable display for charge** and a **12V/24V car charger** for entire portable usage, is optional available as well.

Rivdom contains our entire experience of development and production of hand rivet tools, pneumatic tools and automation solutions - designed by Honsel Germany.

NEW IN 2015 - RivdomTWO, the **POWERFUL battery-powered riveter** even for high-strength blind rivets up to 6.4 mm!!

RivdomONE¹

THE CORDLESS BATTERY RIVETER

For blind rivets up to 5,0 mm diameter



All standard nose pieces included

OPTIONAL

- Extended front sleeve
- Extended nose piece
- Facade nose pieces
- Special nose pieces
- Quick change nose piece

LED illuminated working area



OPTIONAL

Retension nose piece
avoids losing of the rivet
in an upright working position



Sturdy plastic case with metal locks



Big, safe base

[14,4 V LI-ION POWERPA

RIVDOM® provides unlimited freedom of mobility - everywhere.



transparent mandrel collector



brilliant ergonomics, balance and low weight



Premium quick-charger



gummed grip



Powerful Li-Ion batteries with comfort capacity indicator (14,4 V/1,5 Ah or 14,4V/3,0 Ah) -depending on version-



OPTIONAL
Car charger 12V/ 24V





A constant in independent blind rivet handling

Get to know Rivdom and get excited!

Blind rivets up to 5 mm diameter of all materials are set dependable with the powerful motor and the optimal coordination. The modern Li-Ion batteries are of a great capacity and quickly ready for use again after being charged with the supplied charger. Useful details as the transparent collecting container, which enables the filling level of the torn-off pins to be always visible, or a LED lamp at the riveting point completes the strong appearance. Many satisfied customers are already convinced of the outstanding price/performance ratio. It is now available in different equipment versions.



Optical capacity indicator on each Rivdom battery



LED lighted drill hole



Designed by HONSEL | Germany

approx. 240 mm
(without battery)



Sturdy plastic case with metal locks and space for two batteries.



Attractive sales packaging

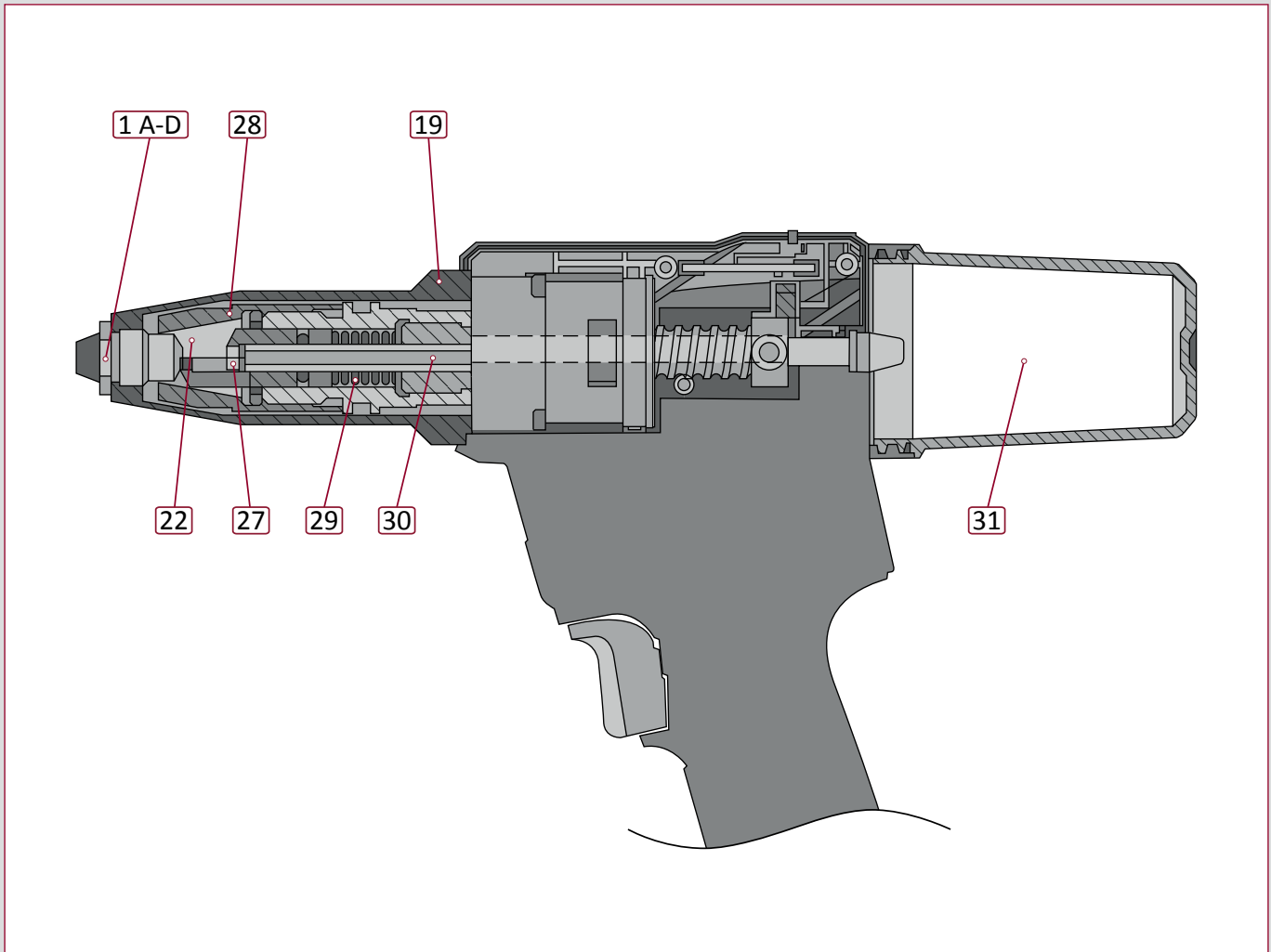
	2,4	3,0	3,2	4,0	4,8	5,0	6,0	6,4	8,0
Aluminium									
Steel									
Stainless Steel									
Copper alloys									
Scope of delivery standard version V1	<ul style="list-style-type: none"> • 4 Nose pieces in a box • 1 Mandrel collector • 1 Li-Ion Battery 14,4V/1,5Ah* • 1 Quick-charger 220V • Installation wrench 					Stroke: 21 mm	Max. mandrel-ø: 3,4 mm		
						*Capacity: Up to 2,000 pcs. Blind Rivets depending on type and material	Working power: 10.000 N		
							Charging time 1,5Ah: <1 h		
							1,54 kg plus Battery (0,33kg/0,53 kg)		
Standard version Item No.: 320.400.000.000-001-10									

NOW EVEN STRONGER!

No.	Alternative versions	Item No.
V2	Rivdom ONE in case, incl. a set of nose pieces, mandrel collector, 2 pcs. battery 14,4V/1,5Ah , quick-charger	320.400.000.000-00181-1
V3	Rivdom ONE in case, incl. a set of nose pieces, mandrel collector, 1 pc. battery 14,4V/3,0Ah , quick-charger	320.400.000.000-00182-1
V4	Rivdom ONE in case, incl. a set of nose pieces, mandrel collector, 1 pc. battery 14,4V/1,5Ah, 1 pc. battery 14,4V/3,0Ah , quick-charger	320.400.000.000-00183-1
V5	Rivdom ONE in case, incl. a set of nose pieces, mandrel collector, 1 pc. battery 14,4V/1,5Ah, charger 12V/24V	320.400.000.000-00184-1
V6	Rivdom ONE in case, incl. a set of nose pieces, mandrel collector, 2 pcs. battery 14,4V/3,0Ah , quick-charger	320.400.000.000-00186-1

RIVDOM ONE

Spare parts for Rivdom ONE



No.	Spare part	Item No.
1A	Nose piece 2,4 mm	321.300.100.022
1B	Nose piece 3,0/3,2 mm	321.300.100.023
1C	Nose piece 4,0 mm	321.300.100.024
1D	Nose piece 4,8/5,0 mm	321.300.100.025
19	Front sleeve NEW (suitable for retention nose pieces)	321.300.100.015-001.1
22	Clamping jaws (3 parts)	321.070.000.241
27	Guide sleeve	321.300.100.017
28	Clamping sleeve	321.300.100.016
29	Pressure Spring clamp mechanism	321.300.100.021
30	Mandrel discharge tube incl. O-ring	321.300.100.049
31	Mandrel collector transparent	321.300.100.031

Accessories without illustration	Item No.
Retention nose piece 3,0/3,2 mm	321.300.100.062
Retention nose piece 4,0 mm	321.300.100.063
Retention nose piece 4,8/5,0 mm	321.300.100.064
Facade nose piece 5,0 mm head 11	321.085.000.511
Facade nose piece 5,0 mm head 14	321.085.000.514
Box for nose pieces-empty-	321.300.100.070
Extended front sleeve (165 mm)	321.300.100.072
Vario nose piece	321.300.100.071

Li-Ion battery 14,4V/1,5Ah	321.400.000.022-0-1
Li-Ion battery 14,4V/3,0Ah	321.400.000.023-0-1
Quick Charger 220V	321.400.000.001-0-1
Charger 12V/24V	321.400.000.001-0-20



You can also use our interactive product viewer for fast search for the correct spare part.

ALL IN ONE. THE VARIO NOSE PIECE.

A nose piece with diameters of 2,4mm, 3,0/3,2mm, 4,0mm and 4,8/5,0 mm for a quick and easy replacement.





A POWERFUL unit for the BIG jobs.

RivdomTWO - the powerful battery-powered riveter for blind rivets up to 6.4 mm diameter of all materials - also for high-strength versions!

With a setting force of 20.000 N and a very big stroke of 30 mm not only standard blind rivets and high-strength versions like FERÒ®-Bulb and FERÒ®-Bolt can be set quickly, dependant and without re-setting as well as folding blind rivets or ring bolts.

RivdomTWO²



L-BOXX®

The innovative overvalue packaging solution.

RivdomTWO is available in the widely spread SORTIMO L-BOXX system or only in a deep-drawn-part - fitting exactly into your already existing Sortimo boxes! Both versions are available with one or two 20 V Li-Ion batteries - wrapped by a solid cardboard.



Deep-drawn-part fitting

for SORTIMO L-BOXX Incl. RivdomTWO, alternatively with one (pictured) or two 20 V batteries, charger, nose pieces in box and wrench.



SORTIMO L-BOXX

Incl. RivdomTWO, alternatively with one or two 20 V batteries (pictured), charger, nose pieces in box and wrench.

Designed by **HONSEL | Germany**



2,4	3,0	3,2	4,0	4,8	5,0	6,0	6,4	8,0	
			Aluminium						
			Steel						
			Stainless Steel						
			Copper alloys						

Scope of delivery standard version V1 in L-Boxx • 4 Nose pieces in a box • 1 Mandrel collector • 1 Li-Ion Battery 20V/2,0Ah* • 1 Quick-charger 220V • Installation wrench	Stroke: 30 mm	Max. mandrel-ø: 4,8 mm
	*Capacity: Up to 2,000 pcs. Blind Rivets depending on type and material	Working power: 20.000 Charging time 2,0Ah: approx. 30 minutes 2,0 kg with Battery
Standard version Item No. 320.500.000.000.002-10		

No.	Alternative versions	Item No.
V2	Rivdom TWO in L-Boxx, incl. a set of nose pieces, mandrel collector, 2 pcs battery 20V/2,0Ah , quick charger	320.500.000.000-00281-1
V3	Rivdom TWO in deep-drawn-part, incl. a set of nose pieces, mandrel collector, 1 pcs battery 20V/2,0Ah , quick charger	320.500.000.000-001-10
V4	Rivdom TWO in deep-drawn-part, incl. a set of nose pieces, mandrel collector, 2 pcs battery 20V/2,0Ah , quick charger	320.500.000.000-00181-1

Accessories	Item No.
Li-Ion Battery 20V/2,0Ah	321.500.000.021-0-1
Quick-charger 220V	321.500.000.001-0-1

RIVDOM TWO

Rivdom TWO²

The most modern motor technology.

The newly developed brushless BLDC direct current motor presents itself with an almost wearless, durable life cycle. Low power consumption and reduced heat build-up increase efficiency and effectiveness as well as battery runtime besides prolonged operating intervals. High drives at quite running at the same time and the integration of the tool's entire electronics into the motor can be realized.

The resulting saving of weight paired with the well-known perfect ergonomics guarantees a very comfortable handling.



- Standard nose pieces included in a separate box
- Special nose pieces available for several applications

Sturdy, approved and safe.
Clear mandrel collector and mandrel protection lock inside the tool.

**20,000 N OF SETTING FORCE!
30 MM STROKE!
BRUSHLESS MOTOR!**

LED illuminated working area

- Low weight
- Brilliant ergonomics
- Gummed comfort grip
- Optimized tool position
- Safe base

Optical capacity indicator on every battery - for checking the charging conditions while operating!



Further information and a review of spare parts

RIVDOM
TWO



Pioneering battery charging technology *plus*

A new developed electronic quick-charger which **identifies the utilized batteries automatically** is introduced with RivdomTWO² for the first time! 16 V, 18 V and 20 V batteries can be charged with the same charger in the future. The charging time of the new Rivdom batteries sets new standards too: The 2,0 Ah Li-Ion battery is **completely charged in about 30 minutes!**