





**i** **Reliable and durable.** Many of our pneumatic tools, like the almost legendary BZ 1 on the left-hand side, have been performing successfully in daily operation until now.

**Decades of experience** as well as **permanent optimization and further development** make the successful tools in the BZ and VNG series reliable partners in the industrial serial manufacturing and likewise in workshops and handicrafts.

A **robust construction** and **full equipment** including all necessary conversion parts and **extended accessories** as well as extensions like axial versions or angular rivet heads do not leave any option open.

For special applications we construct and manufacture **automations** or **process controls** according to your specifications.



# BZ 103 A

## Setting tool for blind rivets

- > pneumatic-hydraulic
- > with permanent or intervalic suction

**From Spring 2015**

- Even faster setting process!
- Reduced air consumption!
- Optimized nose pieces!
- Optimizes gripping mechanism!





**BZ 103 A.** This is the current version of the thousandfold proven standard tool for reliable blind rivet working. **A real classic. Low-noise**, with **outstanding ergonomics, extensive package** including and necessary conversion parts in a **high-quality packaging**. Individually adjustable suction of the mandrel.



We adjust pneumatic tools according to your specifications. For example: **special model BZ 103 A AXIAL.**



	2,4	3,0	3,2	4,0	4,8	5,0	6,0	6,4	8,0
Aluminium									
Steel									
Stainless steel									
Copper alloys									
<b>Scope of delivery</b> <ul style="list-style-type: none"> <li>• 4 nose pieces</li> <li>• 1 set of clamping jaws</li> <li>• 1 bottle hydraulic oil / incl. re-fill unit</li> <li>• 2 mandrel collectors</li> </ul> 	<b>Pressure:</b> 5-7 bar			<b>max.mandrel-ø:</b> 3,2 mm					
	<b>Stroke:</b> 18 mm			<b>Air consumption:</b> 2,4 liter					
	<b>Noise:</b> < 75 dB(A) <sub>(68,32)</sub>			<b>Working power at 7 bar:</b> 11700 N					
	 1,8 kg			<b>Hose connection:</b> G 1/4 inside, installation left or right side					
<b>Item no.:</b> 320.103.000.000									

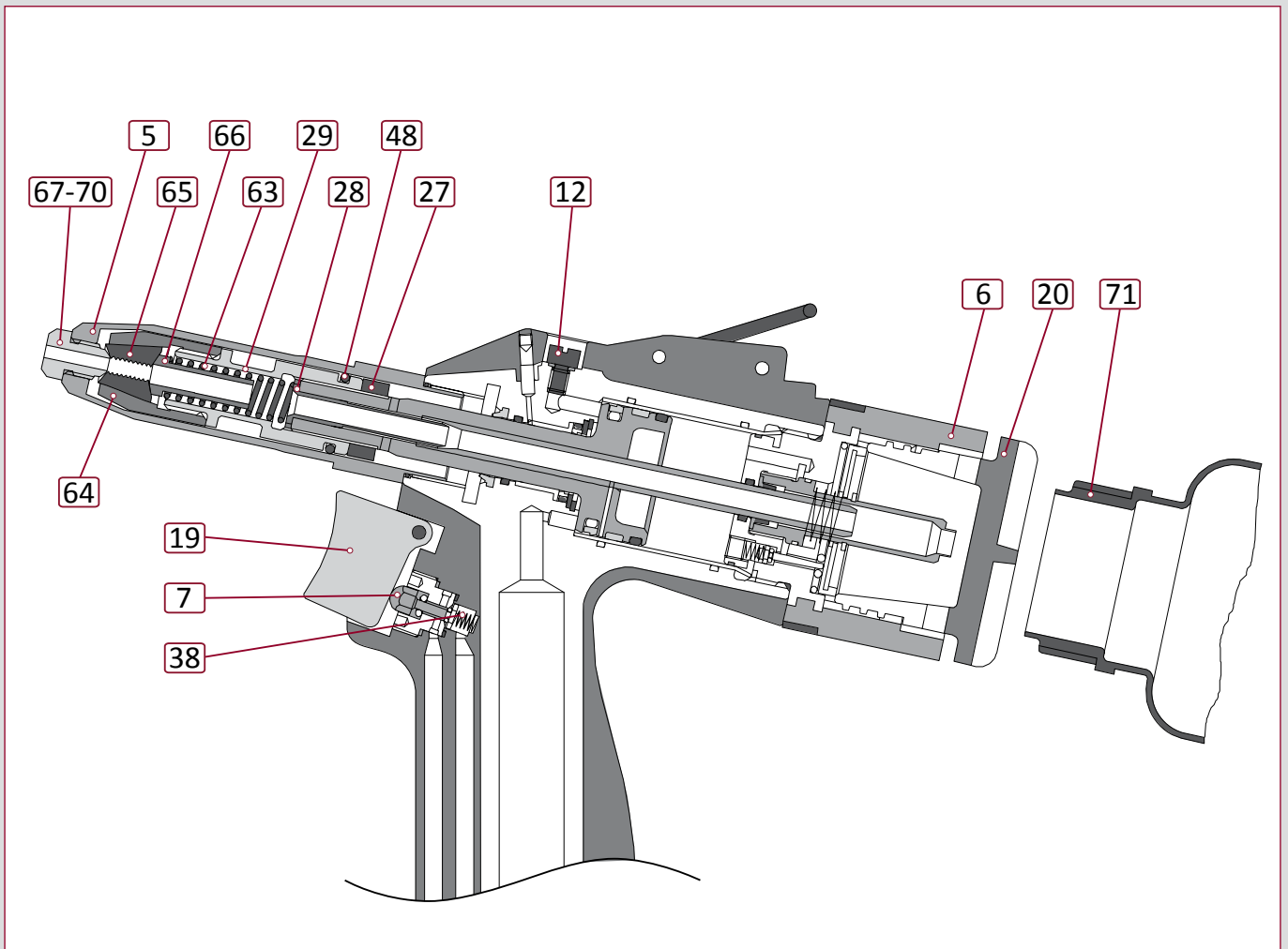
BZ 103 A



- ▶ Special accessories and nose pieces on [page 205](#).
- ▶ Suitable pneumatic accessories on [page 211](#).



## Spare parts for BZ 103 A



You can also use our interactive product viewer for fast search of further spare parts.



No.	Spare part	Item no.
5	Front sleeve long	321.101.000.016
6	Mandrel capture complete	321.102.000.006
7	Release valve	321.102.000.007
12	Oil drain plug including O ring	321.101.000.027
19	Trigger complete	321.102.000.016
20	Closing cap mandrel capture	321.102.000.017
27	M12 x 3 capture nut	321.102.000.023
28	Vacuum nozzle	321.121.000.121
29	Spacer	321.102.000.025
38	Pressure spring trigger	321.102.000.036

No.	Spare part	Item no.
48	O-ring 15.0 x 2.0 NBR 90° Shore	321.101.000.042
63	Pressure spring clamping mechanism	311.045.000.013
64	Clamping sleeve	311.045.000.010
65	Clamping jaws (3 parts)	321.070.000.241
66	Guide sleeve	321.055.000.020
67	Nose piece 2,4 mm	321.070.000.240
68	Nose piece 3,0/3,2 mm	321.085.000.123
69	Nose piece 4,0 mm	321.085.000.124
70	Nose piece 4,8/5,0 mm	321.085.000.125
71	Mandrel collector	321.082.000.010



**Wind deflector**  
Deflecting the exhaustion air in a special direction.  
For all BZ- tools with standard mandrel collector.

321.101.000.091

Special accessory for different possibilities to optimize the discharge of mandrels is available at a higher rivet emergence. Please ask for details on larger mandrel collectors, foot controlled trigger or discharge boosts.



# BZ 123 A

## Setting tool for blind rivets

- > pneumatic-hydraulic
- > with permanent or intervalic suction

**From Spring 2015**

- Even faster setting process!
- Reduced air consumption!
- Optimized nose pieces!
- Optimizes gripping mechanism!



**BZ 123 A. The powerful tool for blind rivets up to 8 mm diameter!** Perfectly suited for working high-strength FERRO-BOLT blind rivets because of **long stroke**. **Low-noise**, like all pneumatic-hydraulic Honsel-VVG-tools, with **outstanding ergonomics**, **extensive scope of supply**. Many special accessory parts available. Individual adjustments possible.



The BZ 123 A is excellently suited for working high-strength **FERRO®-BOLT** blind rivets. To enable a guaranteed fail-safe interlocking of the mandrel, you need to use the special nose pieces shown on [page 203!](#)



BZ 123 A with special front sleeve and nose piece for mounting of lashing rails with **FERRO®-BOLT** blind rivets.



	2,4	3,0	3,2	4,0	4,8	5,0	6,0	6,4	8,0
				Aluminium					
				Steel					
				Stainless steel					
				Copper alloys					
<b>Scope of delivery</b> <ul style="list-style-type: none"> <li>• 4 nose pieces</li> <li>• 1 set of clamping jaws</li> <li>• 1 bottle hydraulic oil / incl. re-fill unit</li> <li>• 2 mandrel collectors</li> </ul>	<b>Pressure:</b> 5-7 bar		<b>max.mandrel-ø:</b> 4,8 mm						
	<b>Stroke:</b> 25 mm		<b>Air consumption:</b> 3,5 litre						
	<b>Noise:</b> < 75 dB(A) <sub>(68,32)</sub>		<b>Working power at 7 bar:</b> 18700 N						
	2,34 kg		<b>Hose connection:</b> G 1/4 inside, installation left or right side						
<b>Item no.:</b> 320.123.000.000									

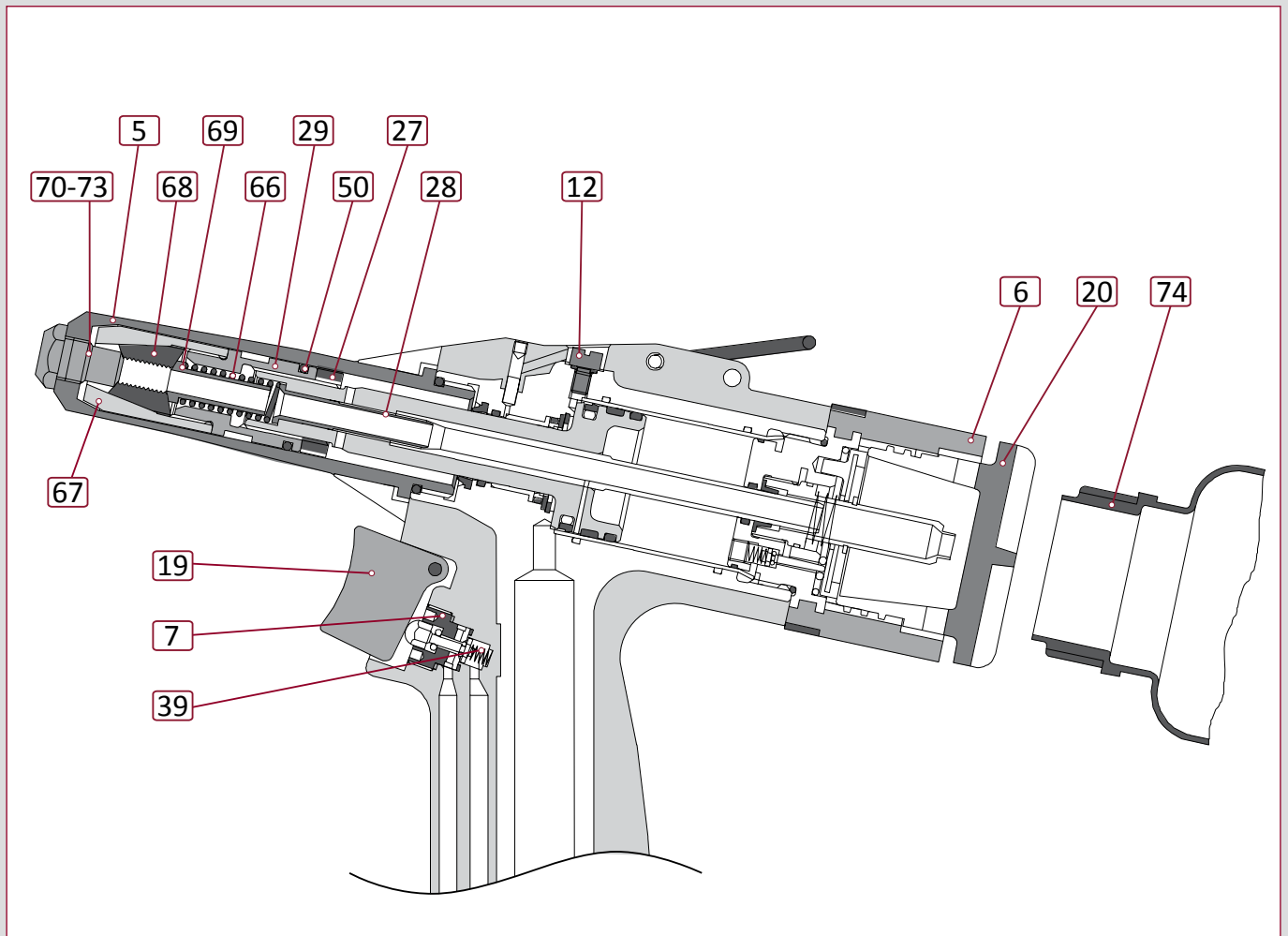


- ▶ Special accessories and nose pieces on [page 205](#).
- ▶ Suitable pneumatic accessories on [page 211](#).





## Spare parts for BZ 123 A



You can also use our interactive product viewer for fast search of further spare parts.



No.	Spare part	Item no.
5	Front sleeve long	321.121.000.016
6	Mandrel capture complete	321.102.000.006
7	Release valve	321.102.000.007
12	Oil drain plug including O-ring	321.101.000.027
19	Trigger complete	321.102.000.016
20	Closing cap mandrel capture	321.102.000.017
27	M14 x 1,5 capture nut	321.120.000.023
28	Vacuum nozzle	321.221.000.014
29	Spacer	321.122.000.025
39	Pressure spring trigger	321.102.000.036

No.	Spare part	Item no.
50	O-ring 16.0x2.0 NBR 70°Shore	321.120.000.014
66	Pressure Spring	311.045.000.013
67	Clamping sleeve	321.120.000.012
68	Clamping jaws (3 parts)	321.120.000.011
69	Guide sleeve	321.120.000.010
70	Nose piece 4,0 mm	321.120.000.124
71	Nose piece 4,8/5,0 mm	321.120.000.125
72	Nose piece 6,0 mm	321.120.000.126
73	Nose piece 6,4 mm	321.120.000.127
74	Mandrel collector	321.082.000.010



**Extended mandrel collector**  
For the use with long blind rivets or blind rivets with an extended rivet mandrel.

321.221.000.065

Special accessory for different possibilities to optimize the discharge of mandrels is available at a higher rivet emergence. Please ask for details on larger mandrel containers, foot controlled trigger or discharge boosts.



## BZ 133 A

### Setting tool for blind rivets

- > pneumatic-hydraulic
- > with permanent or intervalic suction

From Spring 2015

- Even faster setting process!
- Reduced air consumption!
- Optimized nose pieces!
- Optimizes gripping mechanism!



**BZ 123 A. The powerful specialist for high-strength blind rivets up to 8 mm diameter!** High-strength FERO-BULB blind rivets are being set very comfortable and reliably through the combination of normal stroke, very high setting force (24.000 N) and clamping jaws that are optimized for the mandrel's grooving.



Made for FERO®-BULB blind rivets



2,4	3,0	3,2	4,0	4,8	5,0	6,0	6,4	8,0
			Aluminium					
			Steel					
			Stainless steel					
			Copper alloys					
<b>Scope of delivery</b>					<b>Pressure:</b> 5-7 bar		<b>max. mandrel-<math>\phi</math>:</b> 4,8 mm	
<ul style="list-style-type: none"> <li>• 4 nose pieces</li> <li>• 1 set of clamping jaws</li> <li>• 1 bottle hydraulic oil / incl. re-fill unit</li> <li>• 2 mandrel collectors</li> </ul>					<b>Stroke:</b> 18 mm		<b>Air consumption:</b> 3,5 litre	
					<b>Noise:</b> < 75 dB(A)		<b>Working power at 7 bar:</b> 24.0000 N	
					2,34 kg		<b>Hose connection:</b> G 1/4 inside, installation left or right sider	
<b>Item no.:</b> 320.133.000.000								

Spare part	Item no.
Nose piece 4,0 mm	321.120.000.124
Nose piece 4,8/5,0 mm	321.120.000.125
Nose piece 6,0 mm	321.120.000.126
Nose piece 6,4 / 8,0 mm	321.120.000.127
Clamping sleeve	361.122.000.022
Guide sleeve	321.055.000.020
Clamping jaws	361.122.000.020
O-ring-clamping mechanism	321.120.000.014
Pressure spring gripping mechanism	311.045.000.013



For handling various blind rivets like high-strength FERRO®-BOLT blind rivets **special nose pieces** are needed which in this case ensure a **special interlocking of the mandrel**. We offer solutions also for **inside or deep-seated rivet joints** or **movable rivet connections**.

Next to the available from stock versions as shown below, we are able to produce special nose pieces for any blind rivet measurement and customer-related application due to high stock of blanks.

### Nose pieces for FERRO®-BOLT blind rivets



### Extended nose pieces (17mm)



### CE-Nose pieces for CERTO® blind rivets



### Facade nose pieces for 5 mm large dome-head blind rivets



### Extended front sleeves



### Nose pieces FERRO®-BOLT blind rivets

FERRO®-BOLT Blind Rivets 4,8 mm	361.121.008.401
FERRO®-BOLT Blind Rivets 6,4 mm	361.121.008.601

### Extended nose pieces BZ 103 A (and precursors) / RivdomONE

Blind Rivets 3,0/3,2 mm	321.085.000.323
Blind Rivets 4,0 mm	321.085.000.324
Blind Rivets 4,8/5,0 mm	321.085.000.325

N.B. Blind rivets with extended mandrels are necessary for working with extended nose pieces!

### Extended nose pieces BZ 123 A (and precursors)

Blind Rivets 4,0 mm	321.120.000.324
Blind Rivets 4,8/5,0 mm	321.120.000.325
Blind Rivets 6,0 mm	321.120.000.326
Blind Rivets 6,4 mm	321.120.000.327

N.B. Blind rivets with extended mandrels are necessary for working with extended nose pieces!

### CE-Nose pieces for CERTO® blind rivets

CERTO®-Blind Rivets 3,2 mm	321.070.000.240
CERTO®-Blind Rivets 4,0 mm	321.085.009.124
CERTO®-Blind Rivets 4,8/5,0 mm	321.085.009.125

### Facade nose pieces BZ 103 A (and precursors) / RivdomONE

Large domehead blind rivets - head 11mm	321.085.000.511
Large domehead blind rivets - head 14mm	321.085.000.514

### Facade nose pieces BZ 123 A (and precursors) / BZ 70 / BZ 72

Large domehead blind rivets - head 11mm	321.120.000.511
Large domehead blind rivets - head 14mm	321.120.000.514
Large domehead blind rivets - head 16mm	321.120.000.516

### Nose pieces for folding blind rivets

Folding blind rivets 5,2 M8 for BZ 103 A (and precursors) / RivdomONE	321.103.716.052-0-1
Folding blind rivets 5,2 M10 for BZ 123 A (and precursors) / RivdomTWO	321.123.716.052-0-1
Folding blind rivets 6,3 M10 for BZ 123 A (and precursors) / RivdomTWO	321.123.716.063-0-1

### Extended front sleeves BZ 103 A (and precursors)

Conversion kit complete 130 mm	321.103.010.130
Conversion kit complete 170 mm	321.103.010.170
Conversion kit complete 210 mm	321.103.010.210

### Extended front sleeves BZ 123 A (and precursors)

Conversion kit complete 130 mm	321.123.010.130
Conversion kit complete 170 mm	321.123.010.170
Conversion kit complete 210 mm	321.123.010.210

## Around the corner.

To be able to set blind rivets at difficult-to-reach places various **angular rivet heads** for mounting onto the tools BZ 103 A are available.

These angular rivet heads use setting forces between 5.000 N und 9.200 N with stroke lengths between 11 and 17 mm.





- > pneumatic-hydraulic
- > force-controlled

**VNG 703. The force-controlled tool for fast handling of large numbers in serial manufacture.** The regulation through adjusting the necessary setting force guarantees that the blind rivet nut is always set in an **optimal and material-preserving** way. At the same time the VNG 703 features a **user-friendly conception** and **easy-to-use handling**. The switch from forward to backrun is extremely quick. Through light pressing on the mandrel the blind rivet nut is screwed on and after working screwed off automatically.



Easy, **stepless adjustment** of the individually required setting force.



Excellently suited for using **OPTO multi-grip blind rivet nuts** (► pages 98 - 99).



Special accessory angular adapter for keeping the need rectangularity to the component.

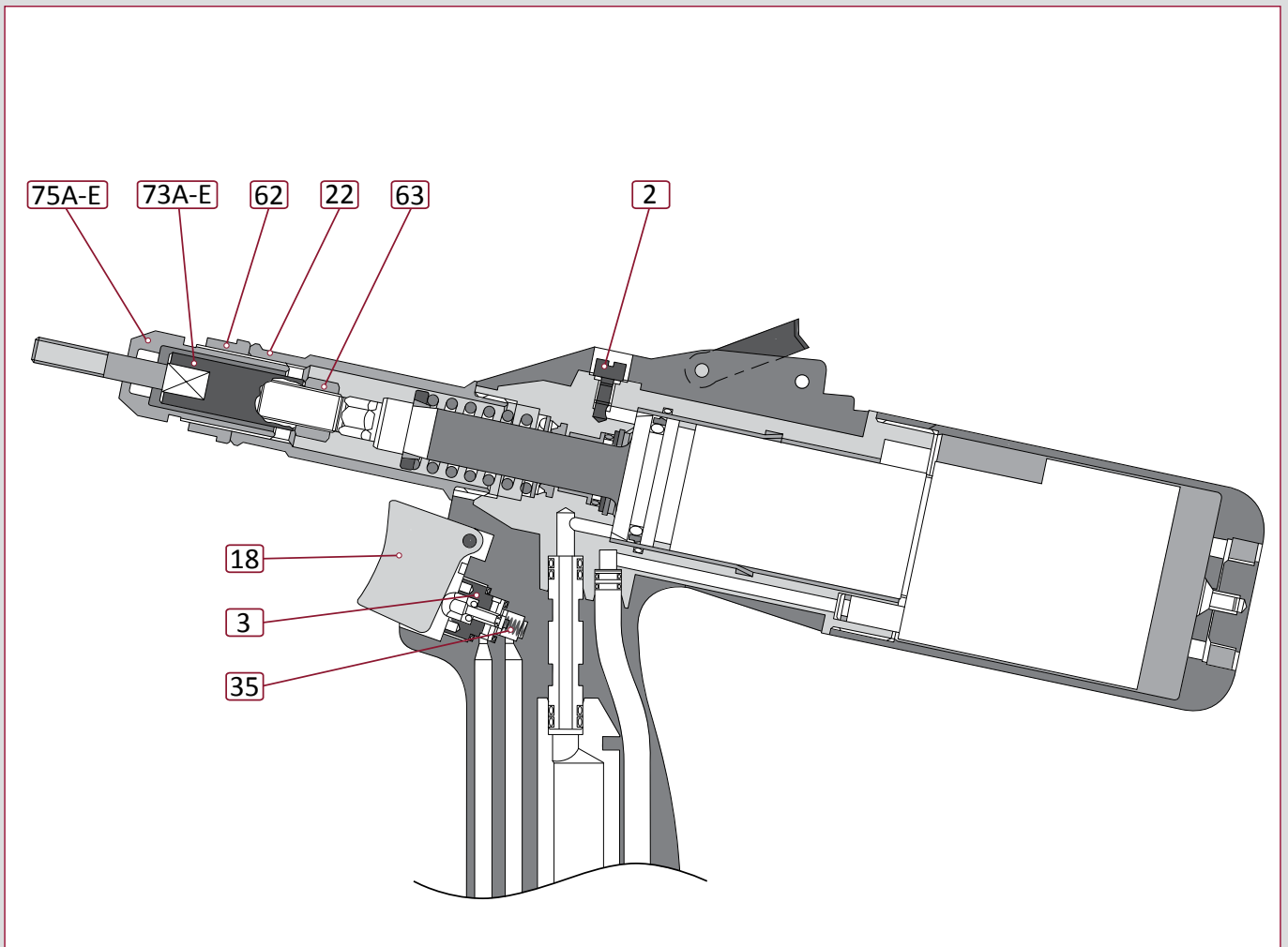


	M3	M4	M5	M6	M8	M10	M12
		Aluminium					
		Steel					
		Stainless steel					
		Steel					
<b>Scope of delivery</b> <ul style="list-style-type: none"> <li>• conversion kits for blind rivet nuts</li> <li>• 1 bottle hydraulic oil / incl. re-fill unit</li> </ul>	Pressure: 5-7 bar			Air consumption: 4,4 Liter			
	Stroke: 9 mm			Revolutions per minute: screwing 1800, removing 2500			
	Noise: < 75 dB(A) <sub>(68,32)</sub>			Working power at 7 bar: 20000 N			
	2,5 kg			Hose connection: G 1/4 inside, installation left or right side			
<b>Item no.: 320.703.000.000</b>							

- We produce individual special nose pieces, special mandrels and bushes on customers demand, e.g. extended versions, for coarse threads, UNC/ UNF or internal riveting positions.
- Suitable pneumatic accessory on page 211.



## Spare parts for VNG 703



You can also use our interactive product viewer for fast search of further spare parts.



No.	Spare part	Item no.
2	Cheese head bolt M 4 x 6 compl. with o-ring	321.101.000.027
3	Release valve BZ 102 A	321.102.000.007
18	trigger complete	321.102.000.016
22	Front sleeve VNG 703	321.703.000.024
35	Pressure spring trigger	321.102.000.036
62	Lock nut M18x1	321.801.000.074
63	Lock nut M 9x0,75	321.802.191.075
73A	Mandrel M3	321.800.008.030
73B	Mandrel M4	321.800.008.040
73C	Mandrel M5	321.800.008.050
73D	Mandrel M6	321.800.008.060
73E	Mandrel M8	321.800.008.080

No.	Spare part	Item no.
74B	Threaded sleeve Rifbolt M4	321.800.009.040
74C	Threaded sleeve Rifbolt M5	321.800.009.050
74D	Threaded sleeve Rifbolt M6	321.800.009.060
75A	Nose piece M3	311.800.000.203
75B	Nose piece M4	311.800.000.204
75C	Nose piece M5	311.800.000.205
75D	Nose piece M6	311.800.000.206
75E	Nose piece M8	311.800.000.208

► Item numbers for available spare parts of previous models VNG 701 and VNG 801/802 can be taken from ProductViewer on our web page.



# VNG 903

## Setting tool for blind rivet nuts and blind rivet bolts



- > pneumatic-hydraulic
- > stroke-controlled

### VNG 903. The stroke-controlled solution for big challenges optional to M12.

The mature design and the possibilities of individual adjustment turns the VNG 903 into a perfect partner for powerful reliable handling of all well-established blind rivet nuts. These are **automatically beaded** onto the mandrel by light pressure. The beading stops automatically as well, the unstringing time is adjustable. **Comfortable, practical, easy.**



Exact adjustment of the setting stroke via scale on the adjustment cap.



VNG 903 in daily use. Process-stable working - powerful and reliable.



	M3	M4	M5	M6	M8	M10	M12
		Aluminium					optional
		Steel					optional
		Stainless steel					optional
		Steel					
<b>Scope of delivery</b> <ul style="list-style-type: none"> <li>• conversion kits for blind rivet nuts</li> <li>• 1 bottle hydraulic oil / incl. re-fill unit</li> </ul>	Pressure: 5-7 bar		Air consumption: 7,5 Liter				
	Stroke: 7 mm		Revolutions per minute:: screwing 1800, removing 2500				
	Noise: < 75 dB(A) <sub>(68,32)</sub>		Working power at 7 bar: 29000 N				
	2,7 kg		Hose connection: G 1/4 inside, installation left or right side				
Item no.: 320.903.000.000							

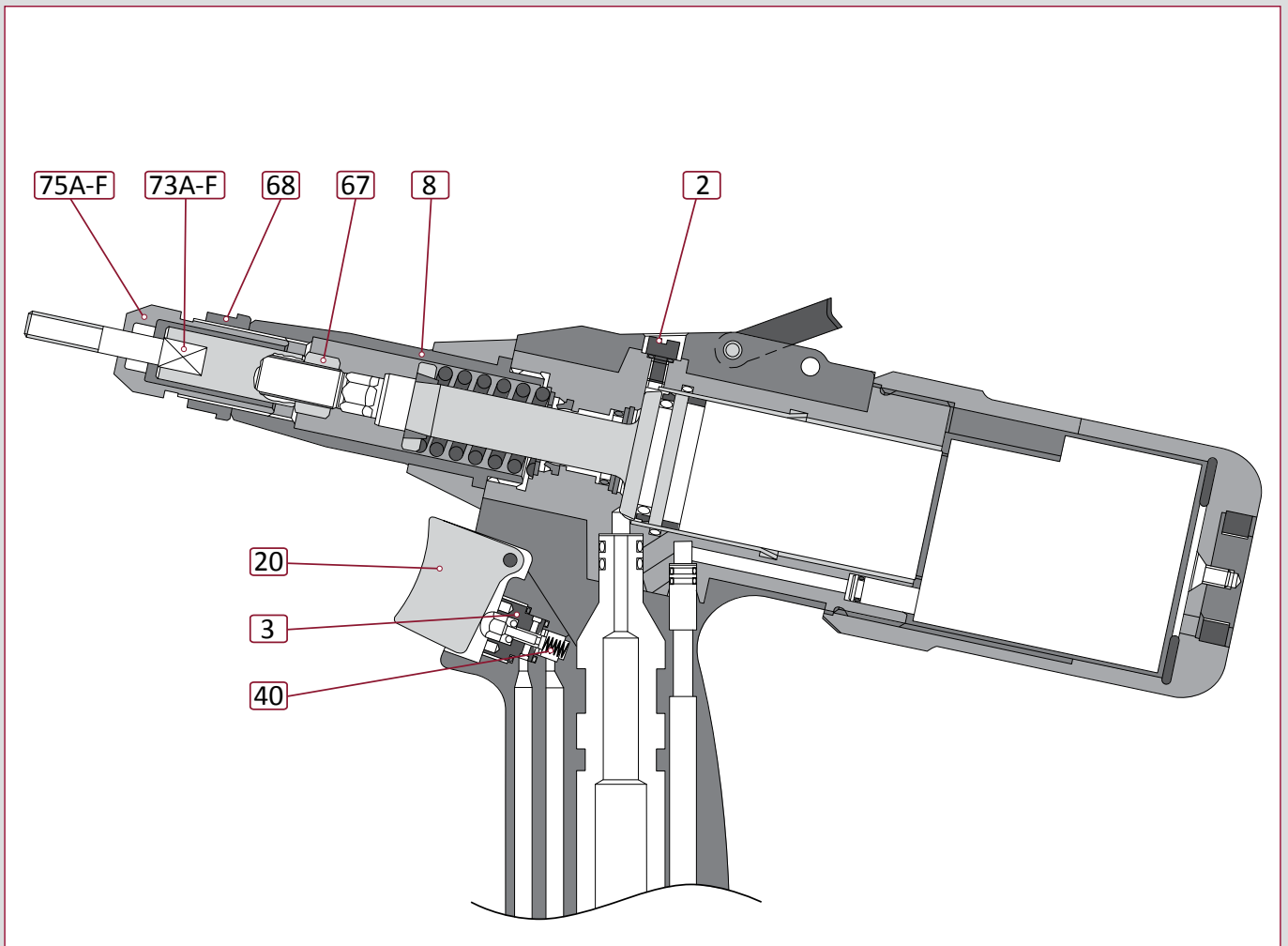
VNG 903



- ▶ We produce individual special nose pieces, special mandrels and bushes on customers demand, e.g. extended versions, for coarse threads, UNC/UNF or internal riveting positions.
- ▶ Suitable pneumatic accessory on [page 211](#).



## Spare parts for VNG 903



No.	Spare part	Item no.
2	Cheese head bolt M 4 x 6 compl. with o-ring	321.101.000.027
3	Release valve BZ 102 A	321.102.000.007
20	Trigger complete	321.102.000.016
8	Front sleeve VNG 903	321.903.000.016
40	Pressure spring trigger	321.102.000.036
67	Lock nut M 9x0,75	321.802.191.075
68	Lock nut M18x1	321.801.000.074
74A	Threaded sleeve Rifbolt M4	321.800.009.040
74B	Threaded sleeve Rifbolt M5	321.800.009.050
74C	Threaded sleeve Rifbolt M6	321.800.009.060
74D	Threaded sleeve Rifbolt M8	321.800.009.080

No.	Spare part	Item no.
73A	Mandrel M4	321.800.008.040
73B	Mandrel M5	321.800.008.050
73C	Mandrel M6	321.800.008.060
73D	Mandrel M8	321.800.008.080
73E	Mandrel M10	321.800.008.100
(73F)	Mandrel M12	321.800.008.120
75A	Nose piece M4	311.800.000.204
75B	Nose piece M5	311.800.000.205
75C	Nose piece M6	311.800.000.206
75D	Nose piece M8	311.800.000.208
75E	Nose piece M10	311.800.000.210
75F	Nose piece M12	311.800.000.212



**Stroke Locking Ring**  
The stroke locking ring avoids unintentional shifting of the adjusted stroke

> for VNG 701/801/802/903 :  
321.801.000.080

You can also use our interactive product viewer for fast search of further spare parts.





# VNG 753

Pneumatic-hydraulic tool for folding blind rivet nuts



- > pneumatic-hydraulic
- > stroke-controlled

**VNG 753. The special tool for SFM-PL folding blind rivet nuts.** Through the **very large stroke** of up to 15 mm and accordingly **extended mandrels** these can be handled perfectly and easy. Convince yourself from the capability of our pneumatic-hydraulic setting tools.



	M3	M4	M5	M6	M8	M10	M12
				Steel			
<b>Scope of delivery</b> <ul style="list-style-type: none"> <li>• conversion kits for folding blind rivet nuts M6 and M8</li> <li>• 1 bottle hydraulic oil / incl. re-fill unit</li> </ul>			Pressure: 5-7 bar		Air consumption: 7,5 litre		
			Stroke: 8 - 15 mm		Revolutions per minute: screwing 1800 removing 2500		
			2,9 kg		Working power at 7 bar: 19000 N		
			<b>Hose connection:</b> G 1/4 inside, installation left or right side				
<b>Item no.: 320.753.000.000</b>							

Spare part	Item no.
Mandrel M6	361.800.008.613
Mandrel M8	361.800.008.813
Nose piece M6	311.800.000.206
Nose piece M8	311.800.000.208
Lock nut M18x1	321.801.000.074
Lock nut M9x0,75	361.802.191.075





## Add to your order!

Have you considered the required pneumatic accessories? Save unnecessary expenditure and order the suitable accessories for the pneumatic tools of the BZ and VNG series with your tool purchase order!



No.	Description	Item no.
1	Angular pivoting fitting aluminium incl. hose with 1/4" outside thread and hose coupling	321.121.000.053-3-1
2	Pivoting threaded pipe angle, aluminium	321.121.000.053-1-1
3	Pivoting threaded pipe angle, stainless steel	321.121.000.053-2-1
4	Valve extension R1/8"	321.121.000.052
5	Screw-in hose connector -set- G 1/4" 6 mm	321.121.000.057
6	Screw-in hose connector -set- G 1/4" 9 mm	321.121.000.058
7a	Plug connection 7mm G 3/8 for compressed-air service unit	320.848.000.009
7b	Plug connection 7mm G 1/4 for pivoting threaded pipe angle	320.848.000.012
8	Coupling G 1/4"	320.848.000.010
9	Pressure controller 7 bar	320.848.000.004
10A	Compressed air spiral hose incl. coupling and plug connection -length 4m-	320.848.000.005
10B	Compressed air spiral hose incl. coupling and plug connection -length 6m-	320.848.000.006
10C	Compressed air spiral hose incl. coupling and plug connection -length 8m-	320.848.000.008
11	Oil re-fill unit for all tools of BZ- and VNG-series	321.101.006.467
12	Filter regulator G3/8 complete	320.848.000.001
13	Maintenance unit, 2-part, complete	320.848.000.002
---	Replacement filter for filter regulator	320.848.000.003
---	1 litre of pneumatic motor oil	320.848.000.011

For smooth operation of our pneumatic tools please note implicitly the information in our operating manuals! Important for preserving performance and to avoid damages are the **characteristics of the used compressed air**. Water condensation compromises the lubrication and causes corrosion inside the tool! The motors need to be greased continuously! **We recommend implicitly the use of maintenance units** for clean and greased air (VNG) or **filter-pressure reducers** for clean and dry air (BZ)!



Filter regulator G3/8 with filter-pressure regulator, manometer, plastic protective cage, fastening angle, plug connection G3/8 and coupling.



Maintenance unit G3/8, 2-part, including plastic protective cage, fastening angle, plug connection G3/8, coupling and 1 litre of pneumatic motor oil.