



A constant in independent blind rivet handling

Get to know Rivdom and get excited!

Blind rivets up to 5 mm diameter of all materials are set dependable with the powerful motor and the optimal coordination. The modern Li-Ion batteries are of a great capacity and quickly ready for use again after being charged with the supplied charger. Useful details as the transparent collecting container, which enables the filling level of the torn-off pins to be always visible, or a LED lamp at the riveting point completes the strong appearance. Many satisfied customers are already convinced of the outstanding price/performance ratio. It is now available in different equipment versions.



Optical capacity indicator on each Rivdom battery



LED lighted drill hole



approx. 240 mm (without battery)



Sturdy plastic case with metal locks and space for two batteries.



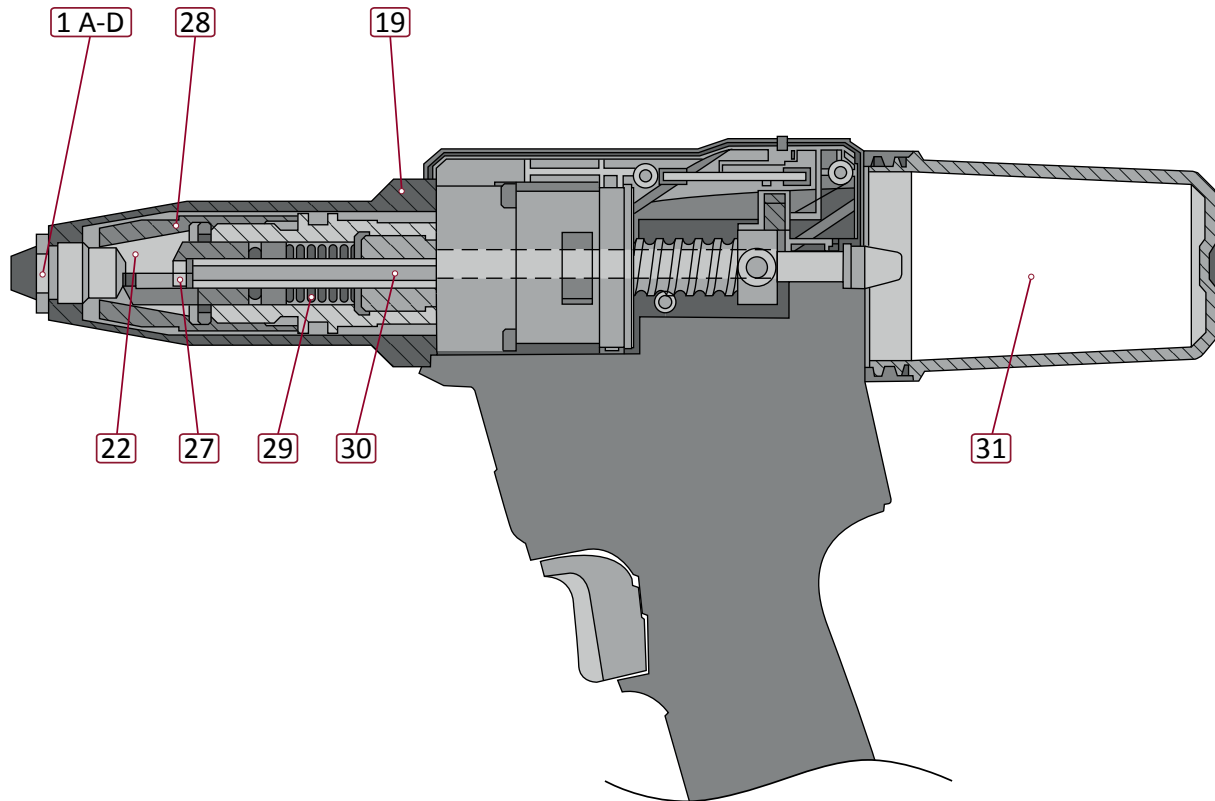
Attractive sales packaging

	2,4	3,0	3,2	4,0	4,8	5,0	6,0	6,4	8,0
Aluminium									
Steel									
Stainless Steel									
Copper alloys									
Scope of delivery standard version V1	<ul style="list-style-type: none"> • 4 Nose pieces in a box • 1 Mandrel collector • 1 Li-Ion Battery 14,4V/1,5Ah* • 1 Quick-charger 220V • Installation wrench 					Stroke: 21 mm *Capacity: Up to 2,000 pcs. Blind Rivets depending on type and material		Max. mandrel-ø: 3,4 mm Working power: 10.000 N Charging time 1,5Ah: <1 h 1,54 kg plus Battery (0,33kg/0,53 kg)	
Standard version Item No.: 320.400.000.000-001-10									

NOW EVEN STRONGER!

No.	Alternative versions	Item No.
V2	Rivdom ONE in case, incl. a set of nose pieces, mandrel collector, 2 pcs. battery 14,4V/1,5Ah , quick-charger	320.400.000.000-00181-1
V3	Rivdom ONE in case, incl. a set of nose pieces, mandrel collector, 1 pc. battery 14,4V/3,0Ah , quick-charger	320.400.000.000-00182-1
V4	Rivdom ONE in case, incl. a set of nose pieces, mandrel collector, 1 pc. battery 14,4V/1,5Ah, 1 pc. battery 14,4V/3,0Ah , quick-charger	320.400.000.000-00183-1
V5	Rivdom ONE in case, incl. a set of nose pieces, mandrel collector, 1 pc. battery 14,4V/1,5Ah, charger 12V/24V	320.400.000.000-00184-1
V6	Rivdom ONE in case, incl. a set of nose pieces, mandrel collector, 2 pcs. battery 14,4V/3,0Ah , quick-charger	320.400.000.000-00186-1

Spare parts for Rivdom ONE



No.	Spare part	Item No.
1A	Nose piece 2,4 mm	321.300.100.022
1B	Nose piece 3,0/3,2 mm	321.300.100.023
1C	Nose piece 4,0 mm	321.300.100.024
1D	Nose piece 4,8/5,0 mm	321.300.100.025
19	Front sleeve NEW (suitable for retention nose pieces)	321.300.100.015-001.1
22	Clamping jaws (3 parts)	321.070.000.241
27	Guide sleeve	321.300.100.017
28	Clamping sleeve	321.300.100.016
29	Pressure Spring clamp mechanism	321.300.100.021
30	Mandrel discharge tube incl. O-ring	321.300.100.049
31	Mandrel collector transparent	321.300.100.031

Accessories without illustration	Item No.
Retention nose piece 3,0/3,2 mm	321.300.100.062
Retention nose piece 4,0 mm	321.300.100.063
Retention nose piece 4,8/5,0 mm	321.300.100.064
Facade nose piece 5,0 mm head 11	321.085.000.511
Facade nose piece 5,0 mm head 14	321.085.000.514
Box for nose pieces-empty-	321.300.100.070
Extended front sleeve (165 mm)	321.300.100.072
Vario nose piece	321.300.100.071

Li-Ion battery 14,4V/1,5Ah	321.400.000.022-0-1
Li-Ion battery 14,4V/3,0Ah	321.400.000.023-0-1
Quick Charger 220V	321.400.000.001-0-1
Charger 12V/24V	321.400.000.001-0-20



You can also use our interactive product viewer for fast search for the correct spare part.

ALL IN ONE. THE VARIO NOSE PIECE.

A nose piece with diameters of 2,4mm, 3,0/3,2mm, 4,0mm and 4,8/5,0 mm for a quick and easy replacement.

