

RIVDOM®TWO2.8^{20V}

Battery-powered setting tool for blind rivets



Rivdom TWO2.8^{20V}

incl. retention nosepieces!



up to 8.0 mm!

"It doesn't get any better. Even rivets of 8 millimetre diameter are set in one stroke. I'm very impressed!"

2.8

Perfected for high-strength blind rivets with 6.4 and 7.8 mm diameter with grooved rivet mandrel!

Clamping jaws with trapezoidal grooves specially designed to match the grooves in the rivet mandrel and a modified clamping mechanism guarantee reliable and **positive setting** of FERRO®-BULB high-strength blind rivets (or comparable types) with a **mandrel diameter from 3.8 to 6.15/6.5 mm!**

Wear of the clamping jaws is minimised!

SEALING PLUGS

LOCKBOLT PINS

Rivdom can do more.

Together with our customers, we elaborate individual processing solutions on the basis of the Rivdom technology that go beyond the standard.

Our product developers benefit from the close proximity to the design engineers and can call together with Technical Sales on a modular system containing a large number of components and parts that can be quickly and easily modified.

Tool

| | |
|-----------------------|---|
| 320.528.000.000-010-1 | RivdomTWO 2.8 20V incl. 1 x 20 V/2,0 Ah battery in L-Boxx |
| 320.528.000.000-020-1 | RivdomTWO 2.8 20V incl. 2 x 20 V/2,0 Ah battery in L-Boxx |

Accessories

| | |
|----------------------|--|
| 321.500.000.021-0-1 | Li-Ion RivdomPLUS battery 20V /2,0 Ah |
| 321.500.000.022-0-1 | Li-Ion RivdomPLUS battery 20 V/4,0 Ah |
| 321.500.000.001-0-10 | Universal quick charger 220 V (12 V/16 V/20 V) |
| 321.300.100.031 | Mandrel container L (8,0 cm) -scope of delivery- |
| 321.401.000.030 | Mandrel container L+ |
| 321.501.000.030 | Mandrel container XL+ |

TWO 2.8

Nosepieces / Spare and Wear Parts

| | |
|-----------------|----------------------------------|
| 321.528.000.066 | Retension nosepiece 2.8 -6,4 mm- |
| 321.528.000.067 | Retension nosepiece 2.8 -7,8 mm- |
| 321.528.045.080 | Clamping jaws 2.8 (set) |

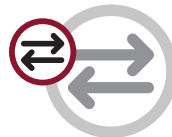
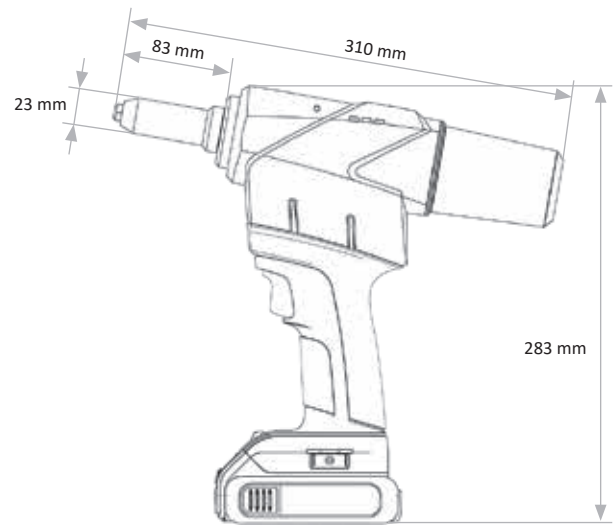
Equipment details and further standard accessories on the pages of the **RivdomTWO 20V**

Facts



| 2.4 | 3.0 | 3.2 | 4.0 | 4.8 | 5.0 | 6.0 | 6.4 | 8.0 |
|-----|-----|-----|-----|-----|-----|-----|-----------------|-----|
| | | | | | | | Aluminium | |
| | | | | | | | Steel | |
| | | | | | | | Stainless steel | |
| | | | | | | | Copper alloy | |

- max. 6.1 mm
- < 30 min.
- 24,000 N
- 2.1 kg (incl. battery)
- 30 mm
- RivdomTWO2.8 20V battery riveter incl. 20 V/2.0 Ah battery (number depending on variant) with optical charge state indicator, 2x retension nosepiece in box, Rivdom-PLUS quick charger, mandrel container, rivet application plate, belt clip, hanger and cover cap in L-Boxx.



STRUCTURAL FASTENERS

The **contact force control** contributes to process reliability.

- **Health & safety**
The setting process starts only from a predefined contact force so that triggering without a workpiece is not possible.
- **Quality assurance**
The contact force on the workpieces ensures that the fastener and the components are positioned as defined.