



BZ 2

Hand Tool for Blind Rivets



> with opening spring

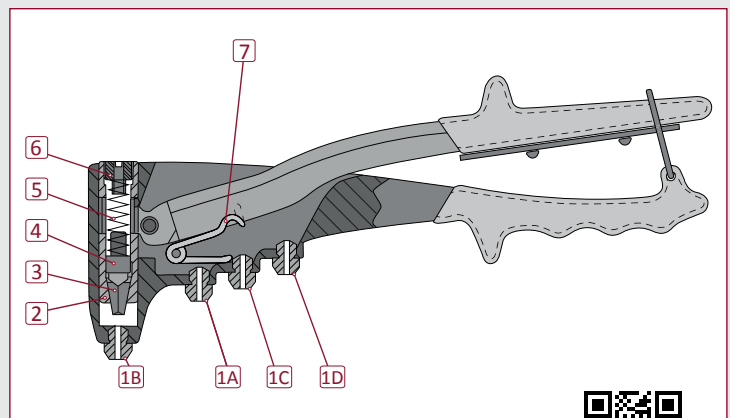


**Good ergonomics,
brilliant transformation**

	2,4	3,0	3,2	4,0	4,8	5,0	6,0	6,4	8,0	
	Aluminium									
	Steel									
	Stainless steel									
	Copper alloys									
	0,56 kg		Stroke: 8 mm			Blister				incl. 4 nose pieces
Special nose pieces ▶ page 205										
Item no.: 310.002.000.000										

Spare Parts for BZ 2

No.	Spare part	Item no.
1A	BZ 2 nose piece 2,4 mm	311.002.000.024
1B	BZ 2 nose piece 3,0/3,2 mm	311.002.000.123
1C	BZ 2 nose piece 4,0 mm	311.002.000.124
1D	BZ 2 nose piece 4,8/5,0 mm	311.002.000.125
2	BZ 2 clamping sleeve	311.002.000.040
3	BZ 2 clamping jaws	311.002.000.132
4	BZ 2 guide sleeve	311.002.000.006
5	BZ 2 pressure spring	311.002.000.007
6	BZ 2 clamping screw	311.002.000.008
7	BZ 2 leg spring	311.002.000.101



You can also use our interactive product viewer for fast search for the correct spare part.

