

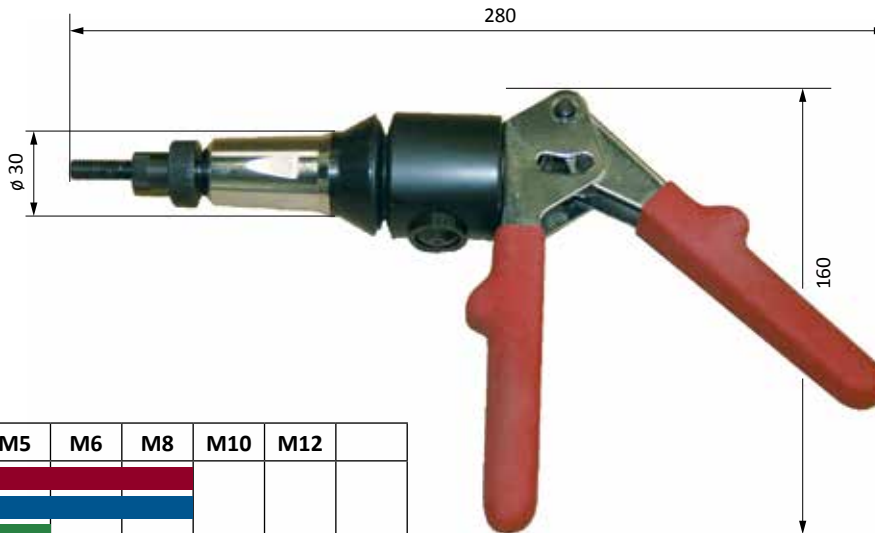


VNG 152

Hand Tool for Blind Rivet Nuts and Blind Rivet Bolts



> with hydraulic assistance



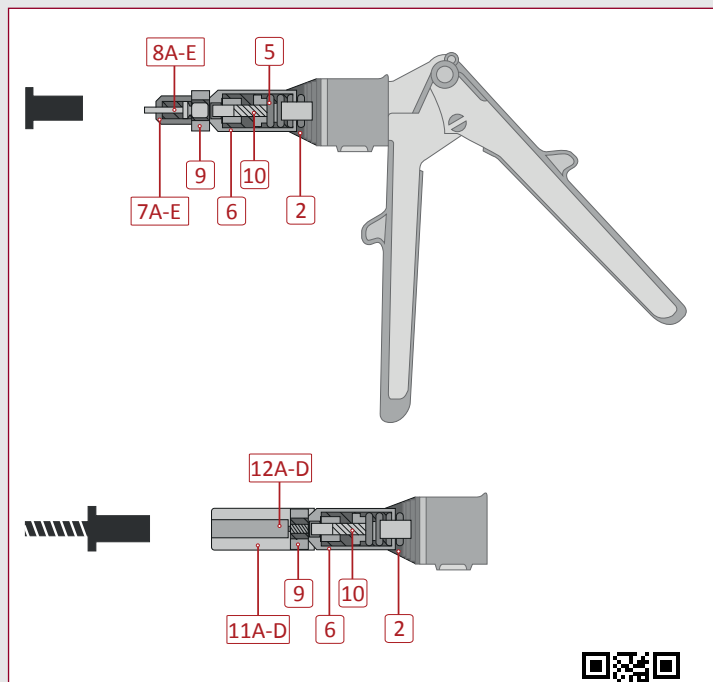
	M3	M4	M5	M6	M8	M10	M12
	Aluminium						
	Steel						
	Stainless steel						
		Steel					
Plastic case			Case dimensions 290 x 195 x 54 mm				
0,6 kg			with hydraulic component				
Content:							
<ul style="list-style-type: none"> • each with 1 piece conversation kit for blind rivet nuts M3-M8 • each with 1 piece conversation kit for blind rivet bolts M4-M8 							
Item no.: 310.152.000.000							



VNG 152 in impact-resistant plastic case.

Spare Parts for VNG 152

No.	Spare part	Item no.
2	VNG 152 housing cover	311.151.000.009
5	VNG 152 pressure spring	311.151.000.010
6	VNG 152 front sleeve	311.151.000.001
7A	VNG 152 nose piece BNM M3	311.151.002.003
7B	VNG 152 nose piece BNM M4	311.151.002.004
7C	VNG 152 nose piece BNM M5	311.151.002.005
7D	VNG 152 nose piece BNM M6	311.151.002.006
7E	VNG 152 nose piece BNM M8	311.151.002.008
8A	VNG 152 mandrel M3	311.151.003.003
8B	VNG 152 mandrel M4	311.151.003.004
8C	VNG 152 mandrel M5	311.151.003.005
8D	VNG 152 mandrel M6	311.151.003.006
8E	VNG 152 mandrel M8	311.151.003.008
9	VNG 152 adapter for nose piece	311.151.000.008
10	VNG 152 adapter for mandrel	311.151.000.007
11A	VNG 152 nose piece Rifbolt M4	311.151.007.004
11B	VNG 152 nose piece Rifbolt M5	311.151.007.005
11C	VNG 152 nose piece Rifbolt M6	311.151.007.006
11D	VNG 152 nose piece Rifbolt M8	311.151.007.008
12A	VNG 152 threaded sleeve Rifbolt M4	311.151.004.004
12B	VNG 152 threaded sleeve Rifbolt M5	311.151.004.005
12C	VNG 152 threaded sleeve Rifbolt M6	311.151.004.006
12D	VNG 152 threaded sleeve Rifbolt M8	311.151.004.008



You can also use our interactive product viewer for fast search for the correct spare part.

