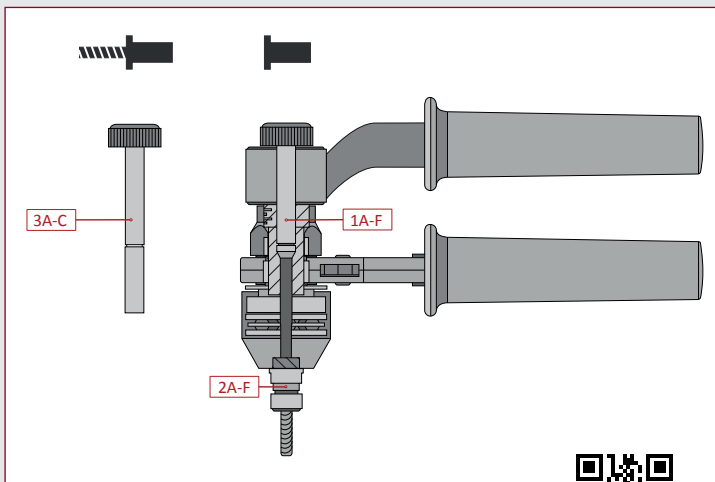




Case with aluminium appearance
incl. foam-pad inlay

	M3	M4	M5	M6	M8	M10	M12	
		optional Aluminium						
		optional Steel						
		optional Stainless steel						
			Steel					
	1,1 kg	Case in aluminium optics			Case dimensions 325 x 250 x 50 mm			
Content:								
<ul style="list-style-type: none"> • each with 1 piece conversation kit for blind rivet nuts M5-M12 • each with 1 piece threaded sleeve for blind rivet bolts M5- M8 								
Item no.: 310.612.000.000								

Spare Parts for VNG 612



You can also use our interactive product viewer
for fast search for the correct spare part.



No.	Spare part	Item no.
1A	VNG 612 mandrel M4	311.612.000.040
1B	VNG 612 mandrel M5	311.612.000.050
1C	VNG 612 mandrel M6	311.612.000.060
1D	VNG 612 mandrel M8	311.612.000.080
1E	VNG 612 mandrel M10	311.612.000.100
1F	VNG 612 mandrel M12	311.612.000.120
2A	VNG 612 nose piece M4	311.800.000.204
2B	VNG 612 nose piece M5	311.800.000.205
2C	VNG 612 nose piece M6	311.800.000.206
2D	VNG 612 nose piece M8	311.800.000.208
2E	VNG 612 nose piece M10	311.800.000.210
2F	VNG 612 nose piece M12	311.800.000.212
3A	VNG 612 threaded sleeve M5	311.612.000.205
3B	VNG 612 threaded sleeve M6	311.612.000.206
3C	VNG 612 threaded sleeve M8	311.612.000.208