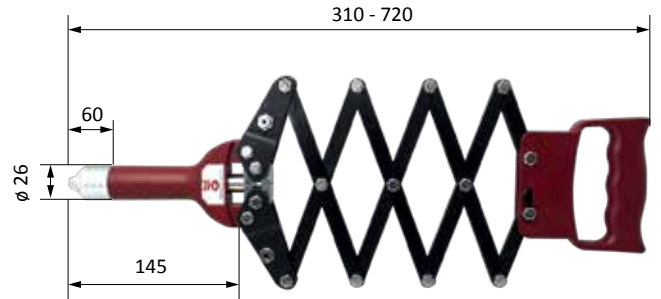




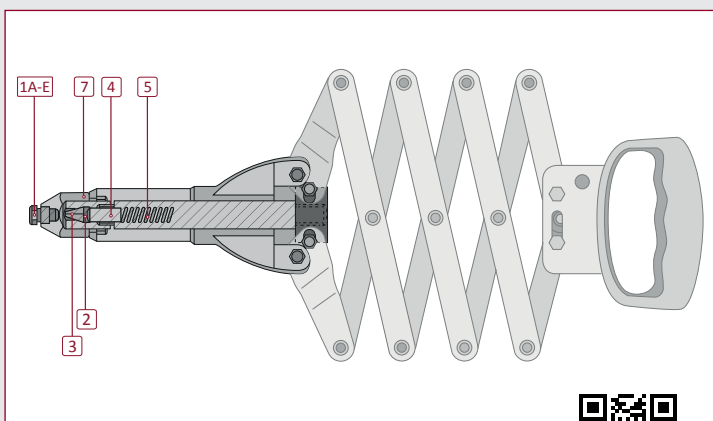
	2,4	3,0	3,2	4,0	4,8	5,0	6,0	6,4	8,0
	Aluminium								
	Steel								
	Stainless steel								
	Copper alloys								
2,0 kg	Stroke: 11 mm			Carton	incl. 4 nose pieces				
Special nose pieces on request							max. mandrel- $\phi$ : 3,8 mm		
Item no.: 310.058.000.000									



Nose pieces for changing inserted in the tool.



## Spare Parts for BZ 58



No.	Spare part	Item no.
1A	BZ 58 nose piece 3,0/3,2 mm	311.100.000.123
1B	BZ 58 nose piece 4,0 mm	311.002.000.124
1C	BZ 58 nose piece 4,8/5,0 mm	311.002.000.125
1D	BZ 58 nose piece 6,0 mm	311.500.000.126
1E	BZ 58 nose piece 6,4 mm	311.500.000.127
2	BZ 58 clamping sleeve	311.500.000.004
3	BZ 58 clamping jaws	311.500.000.005
4	BZ 58 guide sleeve	311.500.000.006
5	BZ 58 pressure spring	311.500.000.007
7	BZ 58 front sleeve	311.058.002.006

You can also use our interactive product viewer for fast search for the correct spare part.

