

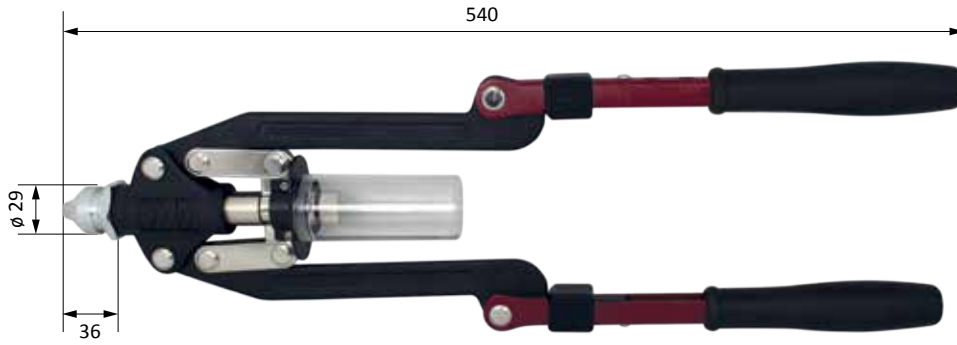


Lever Tool for Blind Rivets, Blind Rivet Nuts and Blind Rivet Bolts

MULTI 5



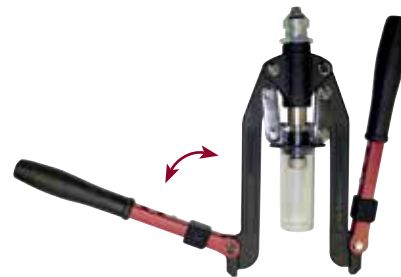
fold-away arms <



MULTI 5 with folded-in arms in impact-resistant plastic case.

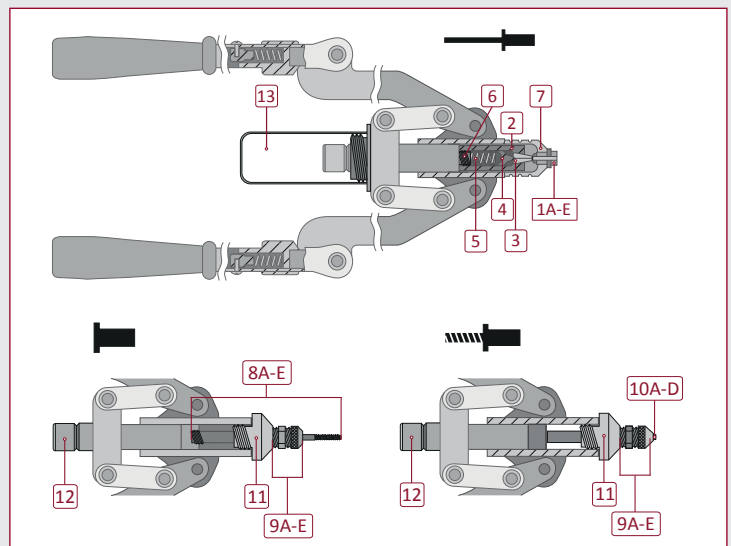
	M3	M4	M5	M6	M8	M10	M12	
		Aluminium						
		Steel						
		Steel						
Plastic case		Case dimensions 385 x 240 x 55 mm						
1,9 kg		fold-away arms						
Content:								
<ul style="list-style-type: none"> each with 1 nose piece for blind rivets 3,0/3,2mm; 4,0mm; 4,8/5,0mm; 6,0mm; 6,4mm each with 1 piece conversation kit for blind rivet nuts M4-M10 each with 1 piece threaded sleeve for blind rivet bolts M4-M8, 								
Item No.: 310.500.000.000								

	2,4	3,0	3,2	4,0	4,8	5,0	6,0	6,4
		Aluminium						
		Steel						
		Stainless steel						
		Copper alloys						



Spare Parts for MULTI 5

No.	Spare part	Item no.
1A	MULTI 5 nose piece 3,0/3,2mm	311.100.000.123
1B	MULTI 5 nose piece 4,0mm	311.100.000.124
1C	MULTI 5 nose piece 4,8/5,0mm	311.100.000.125
1D	MULTI 5 nose piece 6,0mm	311.500.000.126
1E	MULTI 5 nose piece 6,4mm	311.500.000.127
2	MULTI 5 clamping sleeve	311.500.000.004
3	MULTI 5 clamping jaws	311.500.000.005
4	MULTI 5 guide sleeve	311.500.000.006
5	MULTI 5 pressure spring	311.500.000.007
6	MULTI 5 clamping screw	311.500.000.008
7	MULTI 5 front sleeve blind rivet	311.500.000.003
8A	MULTI 5 mandrel M4	311.100.003.004
8B	MULTI 5 mandrel M5	311.100.003.005
8C	MULTI 5 mandrel M6	311.100.003.006
8D	MULTI 5 mandrel M8	311.500.003.008
8E	MULTI 5 mandrel M10	311.500.003.010
9A	MULTI 5 nose piece M4	311.100.002.004
9B	MULTI 5 nose piece M5	311.100.002.005
9C	MULTI 5 nose piece M6	311.100.002.006
9D	MULTI 5 nose piece M8	311.500.002.008
9E	MULTI 5 nose piece M10	311.500.002.010
10A	MULTI 5 threaded sleeve M4	311.100.004.004
10B	MULTI 5 threaded sleeve M5	311.100.004.005



You can also use our interactive product viewer for fast search for the correct spare part.

No.	Spare part	Item no.
10C	MULTI 5 threaded sleeve M6	311.100.004.006
10D	MULTI 5 threaded sleeve M8	311.500.004.008
11	MULTI 5 front sleeve	311.500.000.025
12	MULTI 5 feed rod	311.500.000.009
13	MULTI 5 mandrel collector	311.500.000.010