

VNG 612

Hand Tool for Blind Rivet Nuts and Blind Rivet Bolts



MOVIE



M3	M4	M5	M6	M8	M10	M12
	optional	Aluminium				
	optional	Steel				
	optional	Stainless steel				

		Steel		
--	--	-------	--	--

- 1,1 kg
- Case in aluminium optics 325 x 250 x 50 mm
- 1 conversion kit each for M5 - M12 blind rivet nuts,
1 threaded sleeve each for RIFBOLT® M5 - M8 blind rivet bolts

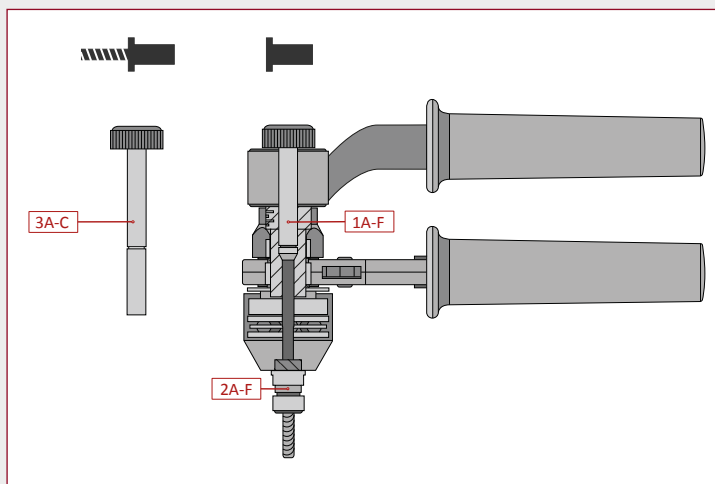
Item no. 310.612.000.000



Carrying case in aluminium finish with foam inlay.



Spare Parts for VNG 612



No.	Spare part	Item no.
1A	VNG 612 mandrel M4	311.612.000.040
1B	VNG 612 mandrel M5	311.612.000.050
1C	VNG 612 mandrel M6	311.612.000.060
1D	VNG 612 mandrel M8	311.612.000.080
1E	VNG 612 mandrel M10	311.612.000.100
1F	VNG 612 mandrel M12	311.612.000.120
2A	VNG 612 nose piece M4	311.612.000.304
2B	VNG 612 nose piece M5	311.612.000.305
2C	VNG 612 nose piece M6	311.612.000.306
2D	VNG 612 nose piece M8	311.612.000.308
2E	VNG 612 nose piece M10	311.612.000.310
2F	VNG 612 nose piece M12	311.612.000.312
3A	VNG 612 threaded sleeve M5	311.612.000.205
3B	VNG 612 threaded sleeve M6	311.612.000.206
3C	VNG 612 threaded sleeve M8	311.612.000.208

You can also use our interactive product viewer for fast search for the correct spare part.



INFO