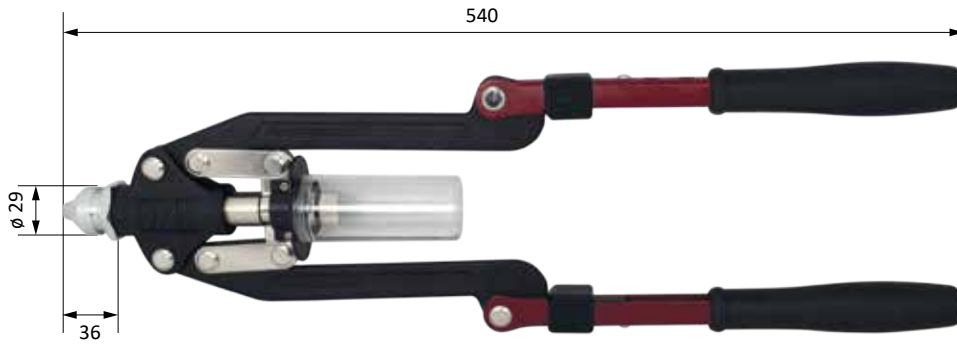


# MULTI 5

Lever Tool for Blind Rivets, Blind Rivet Nuts and Blind Rivet Bolts  
fold-away arms



MULTI 5 with folded-in arms in impact-resistant plastic case.

| M3        | M4 | M5 | M6 | M8 | M10 | M12 |
|-----------|----|----|----|----|-----|-----|
| Aluminium |    |    |    |    |     |     |
| Steel     |    |    |    |    |     |     |

- 1,9 kg
- fold-away arms
- Plastic case
- 385 x 240 x 55 mm

| 2,4             | 3,0 | 3,2 | 4,0 | 4,8 | 5,0 | 6,0 | 6,4 |
|-----------------|-----|-----|-----|-----|-----|-----|-----|
| Aluminium       |     |     |     |     |     |     |     |
| Steel           |     |     |     |     |     |     |     |
| Stainless steel |     |     |     |     |     |     |     |
| Copper alloys   |     |     |     |     |     |     |     |

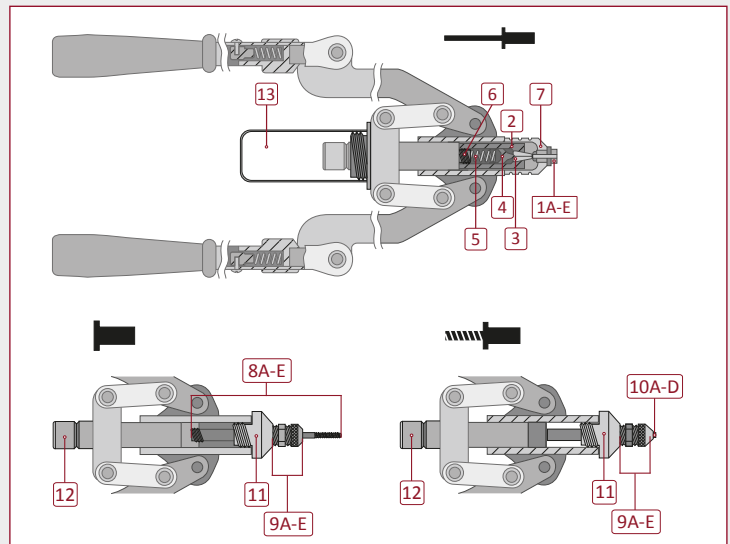
- each with 1 nose piece for blind rivets 3,0/3,2mm; 4,0mm; 4,8/5,0mm; 6,0mm; 6,4mm
- each with 1 piece conversation kit for blind rivet nuts M4 M5, M6, M8 and M10
- each with 1 piece threaded sleeve for blind rivet bolts M4, M5, M6 and M8



Item no. 310.500.000.000

## Spare Parts for Multi 5

| No. | Spare part                       | Item no.        |
|-----|----------------------------------|-----------------|
| 1A  | MULTI 5 nose piece 3,0/3,2mm     | 311.100.000.123 |
| 1B  | MULTI 5 nose piece 4,0mm         | 311.100.000.124 |
| 1C  | MULTI 5 nose piece 4,8/5,0mm     | 311.100.000.125 |
| 1D  | MULTI 5 nose piece 6,0mm         | 311.500.000.126 |
| 1E  | MULTI 5 nose piece 6,4mm         | 311.500.000.127 |
| 2   | MULTI 5 clamping sleeve          | 311.500.000.004 |
| 3   | MULTI 5 clamping jaws            | 311.500.000.005 |
| 4   | MULTI 5 guide sleeve             | 311.500.000.006 |
| 5   | MULTI 5 pressure spring          | 311.500.000.007 |
| 6   | MULTI 5 clamping screw           | 311.500.000.008 |
| 7   | MULTI 5 front sleeve blind rivet | 311.500.000.003 |
| 8A  | MULTI 5 mandrel M4               | 311.100.003.004 |
| 8B  | MULTI 5 mandrel M5               | 311.100.003.005 |
| 8C  | MULTI 5 mandrel M6               | 311.100.003.006 |
| 8D  | MULTI 5 mandrel M8               | 311.500.003.008 |
| 8E  | MULTI 5 mandrel M10              | 311.500.003.010 |
| 9A  | MULTI 5 nose piece M4            | 311.100.002.004 |
| 9B  | MULTI 5 nose piece M5            | 311.100.002.005 |
| 9C  | MULTI 5 nose piece M6            | 311.100.002.006 |
| 9D  | MULTI 5 nose piece M8            | 311.500.002.008 |
| 9E  | MULTI 5 nose piece M10           | 311.500.002.010 |



| No. | Spare part                 | Item no.        |
|-----|----------------------------|-----------------|
| 10A | MULTI 5 threaded sleeve M4 | 311.100.004.004 |
| 10B | MULTI 5 threaded sleeve M5 | 311.100.004.005 |
| 10C | MULTI 5 threaded sleeve M6 | 311.100.004.006 |
| 10D | MULTI 5 threaded sleeve M8 | 311.500.004.008 |
| 11  | Multi 5 front sleeve       | 311.500.000.025 |
| 12  | Multi 5 feed rod           | 311.500.000.009 |
| 13  | MULTI 5 mandrel collector  | 311.500.000.010 |



You can also use our interactive product viewer for fast search for the correct spare part.