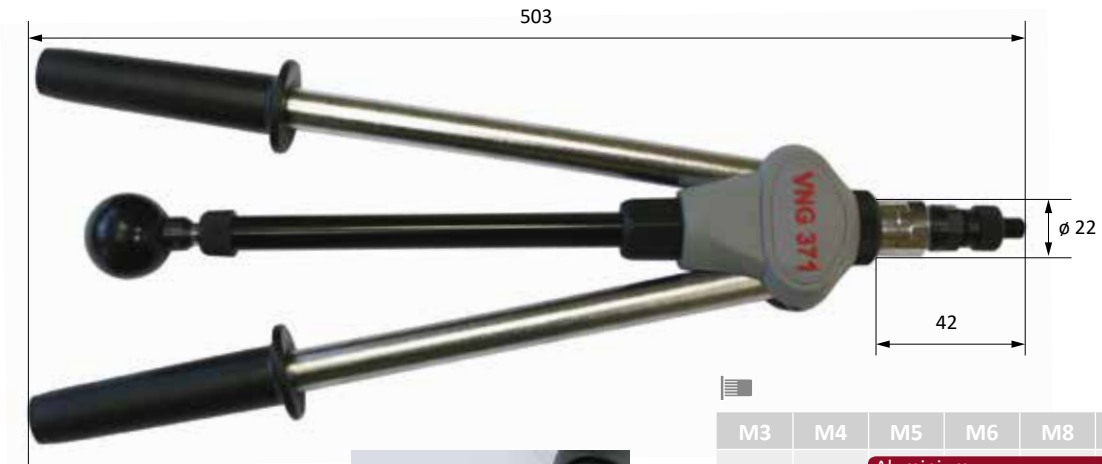


# VNG 371

Lever Tool for Blind Rivet Nuts and Blind Rivet Bolts



Impact-resistant plastic case.



Quick change system for the mandrel.

M3	M4	M5	M6	M8	M10	M12
		Aluminium				
		Steel				
		Stainless steel				

		Steel				
--	--	-------	--	--	--	--

kg 1,2 kg

Plastic case

595 x 270 x 60 mm



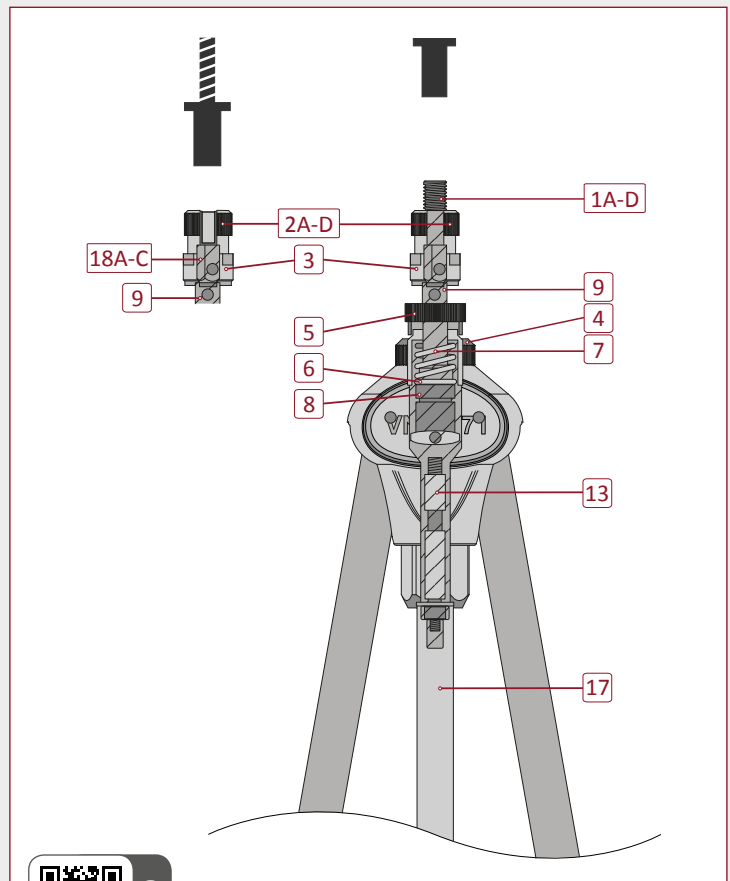
- each with 1 piece conversation kit for blind rivet nuts M5, M6, M8, M10
- each with 1 piece threaded sleeve for blind rivet bolts M5, M6, M8

**Item no. 310.371.000.000**

## Spare Parts for VNG 371

No.	Spare part	Item no.
1A	VNG 371 mandrel M5	311.371.000.005
1B	VNG 371 mandrel M6	311.371.000.006
1C	VNG 371 mandrel M8	311.371.000.007
1D	VNG 371 mandrel M10	311.371.000.008
2A	VNG 371 nose piece M5	311.371.000.001
2B	VNG 371 nose piece M6	311.371.000.002
2C	VNG 371 nose piece M8	311.371.000.003
2D	VNG 371 nose piece M10	311.371.000.004
3	VNG 371 lock nut nose piece	311.371.000.012
4	VNG 371 stroke adjusting cap	311.371.000.013
5	VNG 371 plastic knurled nut	311.371.000.015
6	VNG 371 o-ring	311.371.000.014
7	VNG 371 pressure spring	311.371.000.016
8	VNG 371 housing tube	311.371.000.017
9	VNG 371 connection sleeve	311.371.000.025
13	VNG 371 feed rod	311.371.000.030
17	VNG 371 stranded rod	311.371.000.020
18A	VNG 371 threaded sleeve M5	311.371.000.009
18B	VNG 371 threaded sleeve M6	311.371.000.010
18C	VNG 371 threaded sleeve M8	311.371.000.011

Spare part	Item no.
Mandrel M6 Folding blind rivet nuts	311.371.000.040
Mandrel M8 Folding blind rivet nuts	311.371.000.041



You can also use our interactive product viewer for fast search for the correct spare part.