



VNG 703

Setting tool for blind rivet nuts and blind rivet bolts



- > pneumatic-hydraulic
- > force-controlled

VNG 703. The force-controlled tool for fast handling of large numbers in serial manufacture. The regulation through adjusting the necessary setting force guarantees that the blind rivet nut is always set in an **optimal and material-preserving** way. At the same time the VNG 703 features a **user-friendly conception** and **easy-to-use handling**. The switch from forward to backrun is extremely quick. Through light pressing on the mandrel the blind rivet nut is screwed on and after working screwed off automatically.



Easy, **stepless adjustment** of the individually required setting force.



Excellently suited for using **OPTO multi-grip blind rivet nuts** (► pages 98 - 99).



Special accessory angular adapter for keeping the need rectangularity to the component.



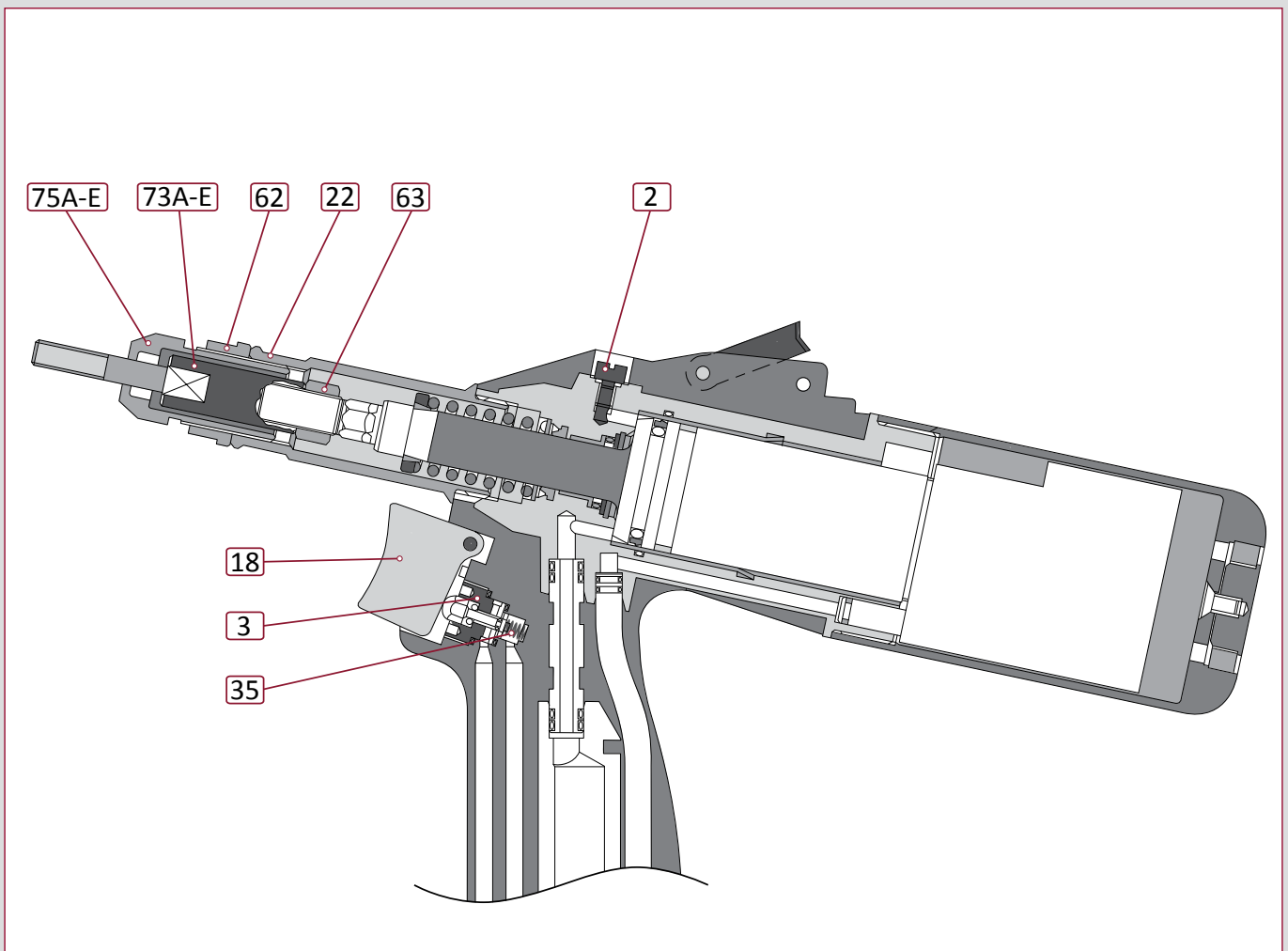
	M3	M4	M5	M6	M8	M10	M12
		Aluminium					
		Steel					
		Stainless steel					
		Steel					
Scope of delivery <ul style="list-style-type: none"> • conversion kits for blind rivet nuts • 1 bottle hydraulic oil / incl. re-fill unit 				Pressure: 5-7 bar		Air consumption: 4,4 Liter	
				Stroke: 9 mm		Revolutions per minute: screwing 1800, removing 2500	
				Noise: < 75 dB(A) _(68,32)		Working power at 7 bar: 20000 N	
				2,5 kg		Hose connection: G 1/4 inside, installation left or right side	
Item no.: 320.703.000.000							



► We produce individual special nose pieces, special mandrels and bushes on customers demand, e.g. extended versions, for coarse threads, UNC/ UNF or internal riveting positions.



Spare parts for VNG 703



You can also use our interactive product viewer
for fast search of further spare parts.



No.	Spare part	Item no.
2	Cheese head bolt M 4 x 6 compl. with o-ring	321.101.000.027
3	Release valve BZ 102 A	321.102.000.007
18	trigger complete	321.102.000.016
22	Front sleeve VNG 703	321.703.000.024
35	Pressure spring trigger	321.102.000.036
62	Lock nut M18x1	321.801.000.074
63	Lock nut M 9x0,75	321.802.191.075
73A	Mandrel M3	321.800.008.030
73B	Mandrel M4	321.800.008.040
73C	Mandrel M5	321.800.008.050
73D	Mandrel M6	321.800.008.060
73E	Mandrel M8	321.800.008.080

No.	Spare part	Item no.
74B	Threaded sleeve Rifbolt M4	321.800.009.040
74C	Threaded sleeve Rifbolt M5	321.800.009.050
74D	Threaded sleeve Rifbolt M6	321.800.009.060
75A	Nose piece M3	311.800.000.203
75B	Nose piece M4	311.800.000.204
75C	Nose piece M5	311.800.000.205
75D	Nose piece M6	311.800.000.206
75E	Nose piece M8	311.800.000.208