



VNG 903

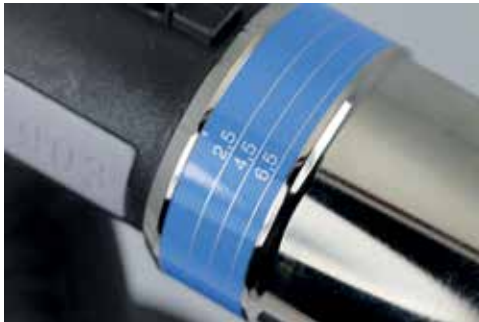
Setting tool for blind rivet nuts and blind rivet bolts



- > pneumatic-hydraulic
- > stroke-controlled

VNG 903. The stroke-controlled solution for big challenges optional to M12.

The mature design and the possibilities of individual adjustment turns the VNG 903 into a perfect partner for powerful reliable handling of all well-established blind rivet nuts. These are **automatically beaded** onto the mandrel by light pressure. The beading stops automatically as well, the unstringing time is adjustable. **Comfortable, practical, easy.**



Exact adjustment of the setting stroke via scale on the adjustment cap.



VNG 903 in daily use. Process-stable working - powerful and reliable.



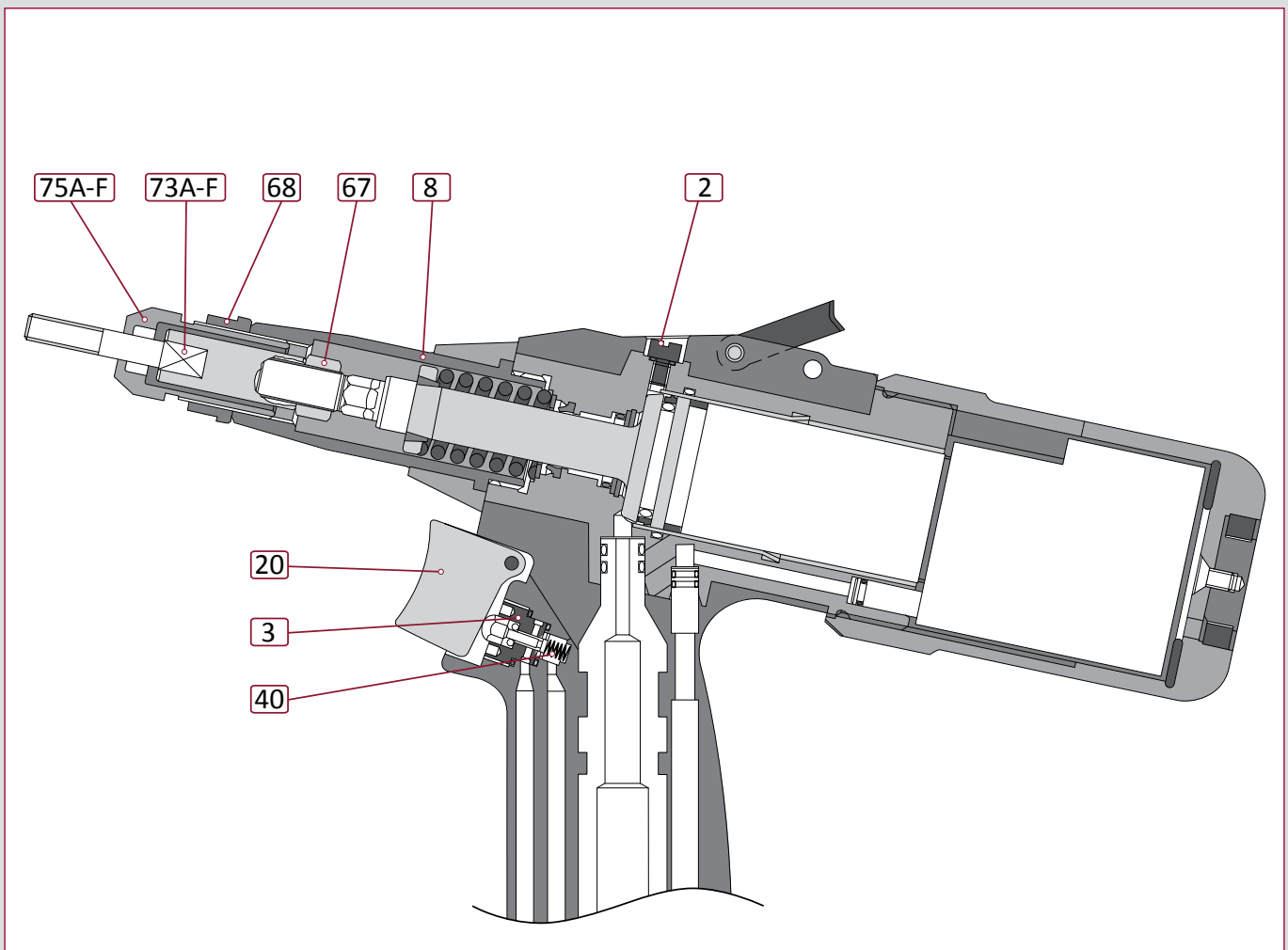
	M3	M4	M5	M6	M8	M10	M12
		Aluminium					optional
		Steel					optional
		Stainless steel					optional
		Steel					
Scope of delivery <ul style="list-style-type: none"> • conversion kits for blind rivet nuts • 1 bottle hydraulic oil / incl. re-fill unit 	Pressure: 5-7 bar		Air consumption: 7,5 Liter				
	Stroke: 7 mm		Revolutions per minute:: screwing 1800, removing 2500				
	Noise: < 75 dB(A) _(68,32)		Working power at 7 bar: 29000 N				
	2,7 kg		Hose connection: G 1/4 inside, installation left or right side				
Item no.: 320.903.000.000							



► We produce individual special nose pieces, special mandrels and bushes on customers demand, e.g. extended versions, for coarse threads, UNC/UNF or internal riveting positions.



Spare parts for VNG 903



No.	Spare part	Item no.
2	Cheese head bolt M 4 x 6 compl. with o-ring	321.101.000.027
3	Release valve BZ 102 A	321.102.000.007
20	Trigger complete	321.102.000.016
8	Front sleeve VNG 903	321.903.000.016
40	Pressure spring trigger	321.102.000.036
67	Lock nut M 9x0,75	321.802.191.075
68	Lock nut M18x1	321.801.000.074
74A	Threaded sleeve Riffbolt M4	321.800.009.040
74B	Threaded sleeve Riffbolt M5	321.800.009.050
74C	Threaded sleeve Riffbolt M6	321.800.009.060
74D	Threaded sleeve Riffbolt M8	321.800.009.080

No.	Spare part	Item no.
73A	Mandrel M4	321.800.008.040
73B	Mandrel M5	321.800.008.050
73C	Mandrel M6	321.800.008.060
73D	Mandrel M8	321.800.008.080
73E	Mandrel M10	321.800.008.100
(73F)	Mandrel M12	321.800.008.120
75A	Nose piece M4	311.800.000.204
75B	Nose piece M5	311.800.000.205
75C	Nose piece M6	311.800.000.206
75D	Nose piece M8	311.800.000.208
75E	Nose piece M10	311.800.000.210
75F	Nose piece M12	311.800.000.212



Stroke Locking Ring
The stroke locking ring avoids unintentional shifting of the adjusted stroke

> for VNG 701/801/802/903 :
321.801.000.080

You can also use our interactive product viewer for fast search of further spare parts.

