



BZ 103 A

Setting tool for blind rivets

- > pneumatic-hydraulic
- > with permanent or intervalic suction

- Even faster setting process!
- Reduced air consumption!
- Optimized nose pieces!
- Optimizes gripping mechanism!



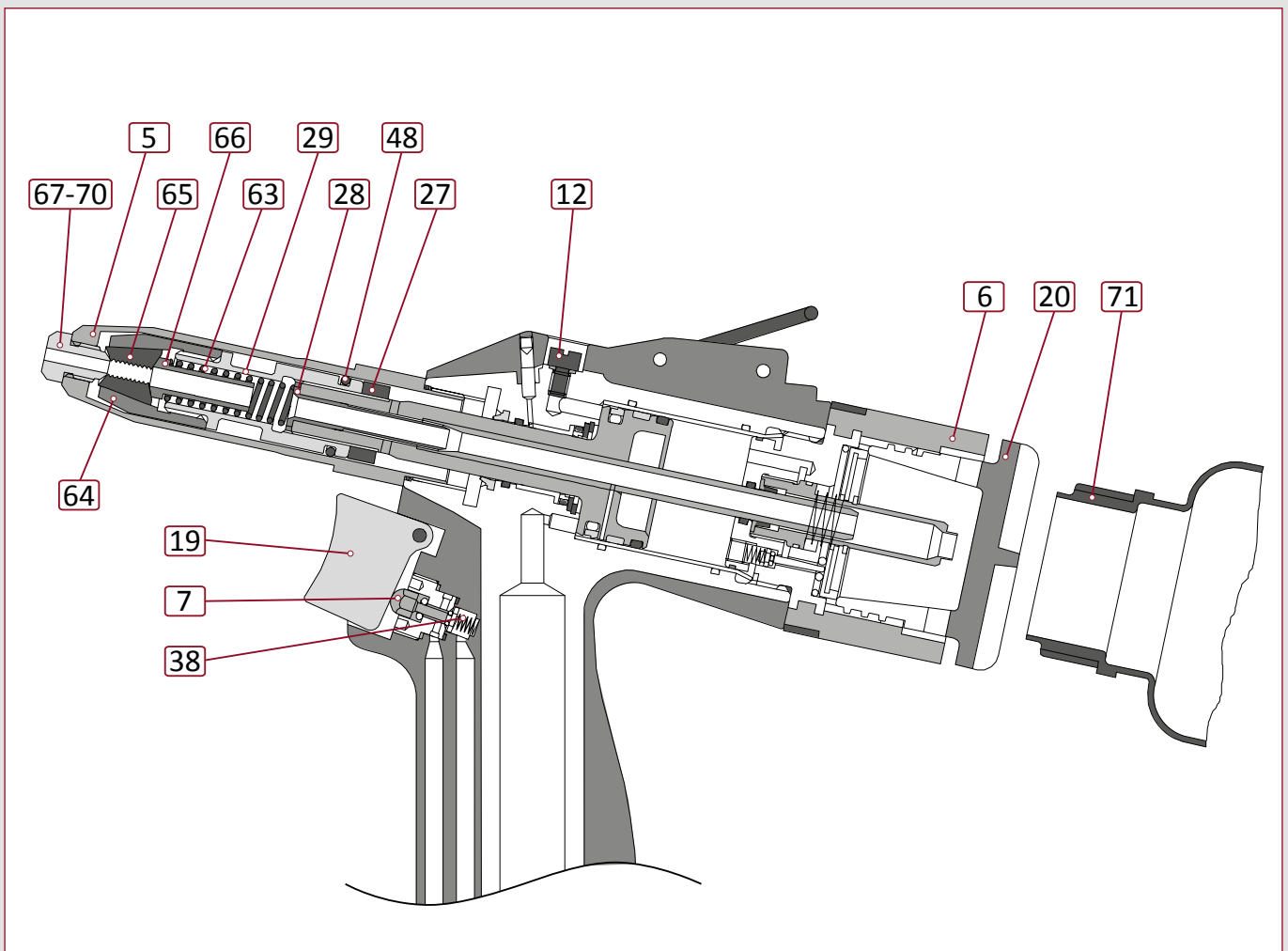
BZ 103 A. This is the current version of the thousandfold proven standard tool for reliable blind rivet working. **A real classic.** Low-noise, with **outstanding ergonomics, extensive package** including and necessary conversion parts in a **high-quality packaging**. Individually adjustable suction of the mandrel.



	2,4	3,0	3,2	4,0	4,8	5,0	6,0	6,4	8,0	
Aluminium										
Steel										
Stainless steel										
Copper alloys										
Scope of delivery <ul style="list-style-type: none"> • 4 nose pieces • 1 set of clamping jaws • 1 bottle hydraulic oil / incl. re-fill unit • 2 mandrel collectors 	Pressure: 5-7 bar		max.mandrel-ϕ: 3,8 mm							
	Stroke: 18 mm		Air consumption: 2,4 liter							
	Noise: < 75 dB(A) _(68,32)		Working power at 7 bar: 11700 N							
			Weight: 1,8 kg		Hose connection: G 1/4 inside, installation left or right side					
Item no.: 320.103.000.000										



Spare parts for BZ 103 A



No.	Spare part	Item no.
5	Front sleeve long	321.101.000.016
6	Mandrel capture complete	321.102.000.006
7	Release valve	321.102.000.007
12	Oil drain plug including O ring	321.101.000.027
19	Trigger complete	321.102.000.016
20	Closing cap mandrel capture	321.102.000.017
27	M12 x 3 capture nut	321.102.000.023
28	Vacuum nozzle	321.121.000.121
29	Spacer	321.102.000.025
38	Pressure spring trigger	321.102.000.036

No.	Spare part	Item no.
48	O-ring 15.0 x 2.0 NBR 90° Shore	321.101.000.042
63	Pressure spring clamping mechanism	311.045.000.013
64	Clamping sleeve	311.045.000.010
65	Clamping jaws (3 parts)	321.070.000.241
66	Guide sleeve	321.055.000.020
67	Nose piece 2,4 mm	321.070.000.240
68	Nose piece 3,0/3,2 mm	321.085.000.123
69	Nose piece 4,0 mm	321.085.000.124
70	Nose piece 4,8/5,0 mm	321.085.000.125
71	Mandrel collector	321.082.000.010

**Wind deflector**

Deflecting the exhaustion air in a special direction. For all BZ- tools with standard mandrel collector.

321.101.000.091

Special accessories for the discharge of sheared rivet mandrels through a hose into large mandrel collector, axial riveting solutions, angled rivet heads and foot controlled trigger can be found on