



BZ 123 A

Setting tool for blind rivets

- > pneumatic-hydraulic
- > with permanent or intervalic suction

From Spring 2015

- Even faster setting process!
- Reduced air consumption!
- Optimized nose pieces!
- Optimizes gripping mechanism!



BZ 123 A. The powerful tool for blind rivets up to 8 mm diameter! Perfectly suited for working high-strength FERRO-BOLT blind rivets because of **long stroke**. **Low-noise**, like all pneumatic-hydraulic Honsel-VVG-tools, with **outstanding ergonomics**, **extensive scope of supply**. Many special accessory parts available. Individual adjustments possible.



The BZ 123 A is excellently suited for working high-strength **FERRO®-BOLT** blind rivets. To enable a guaranteed fail-safe interlocking of the mandrel, you need to use the special nose pieces shown on [page 203!](#)



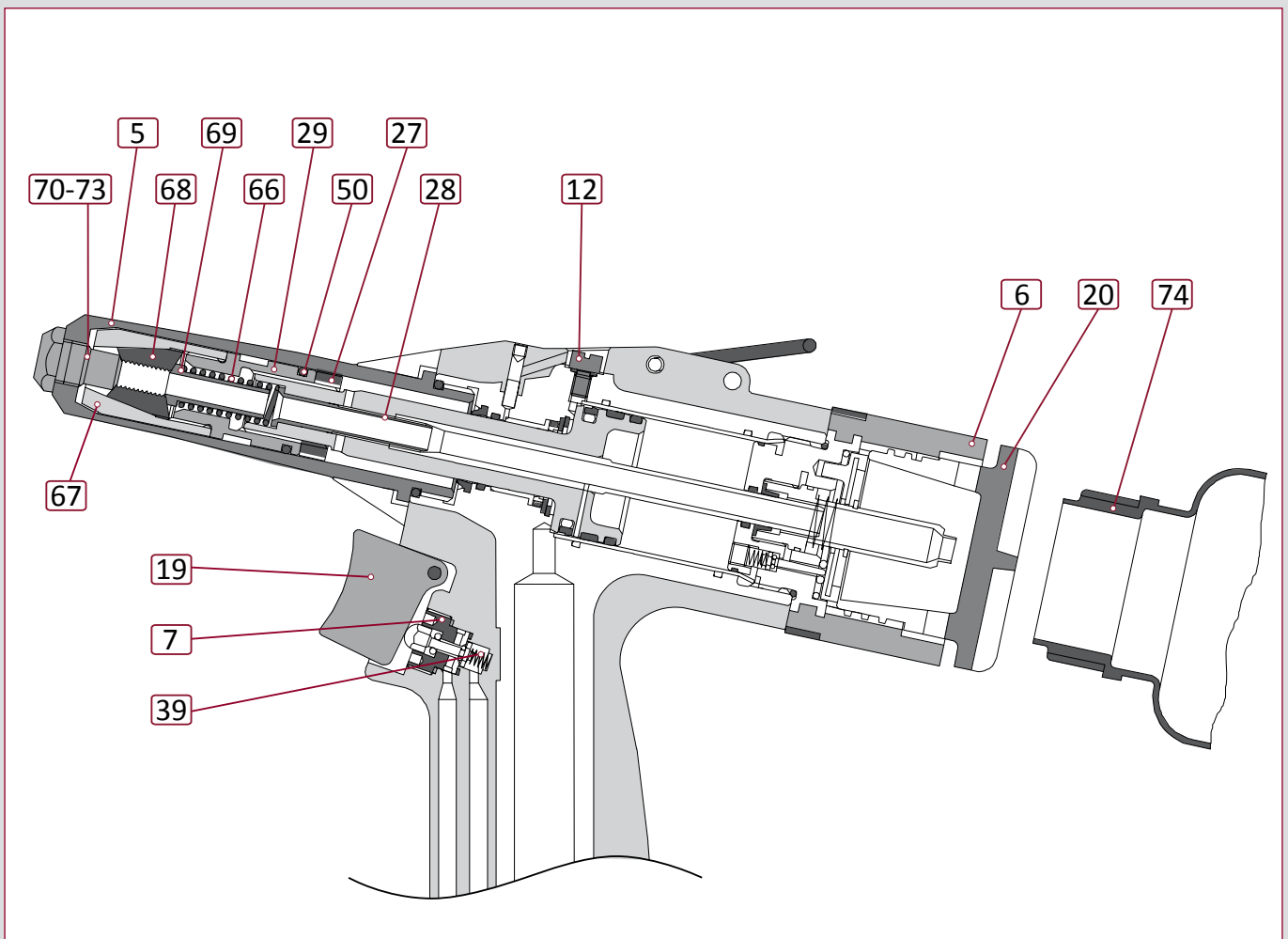
BZ 123 A with special front sleeve and nose piece for mounting of lashing rails with **FERRO®-BOLT** blind rivets.



2,4	3,0	3,2	4,0	4,8	5,0	6,0	6,4	8,0
			Aluminium					
			Steel					
			Stainless steel					
			Copper alloys					
Scope of delivery					Pressure: 5-7 bar		max.mandrel-ø: 4,8 mm	
<ul style="list-style-type: none"> • 4 nose pieces • 1 set of clamping jaws • 1 bottle hydraulic oil / incl. re-fill unit • 2 mandrel collectors 					Stroke: 25 mm		Air consumption: 3,5 litre	
					Noise: < 75 dB(A) _(68,32)		Working power at 7 bar: 18700 N	
					2,34 kg		Hose connection: G 1/4 inside, installation left or right side	
Item no.: 320.123.000.000								



Spare parts for BZ 123 A



You can also use our interactive product viewer for fast search of further spare parts.



No.	Spare part	Item no.
5	Front sleeve long	321.121.000.016
6	Mandrel capture complete	321.102.000.006
7	Release valve	321.102.000.007
12	Oil drain plug including O-ring	321.101.000.027
19	Trigger complete	321.102.000.016
20	Closing cap mandrel capture	321.102.000.017
27	M14 x 1,5 capture nut	321.120.000.023
28	Vacuum nozzle	321.221.000.014
29	Spacer	321.122.000.025
39	Pressure spring trigger	321.102.000.036

No.	Spare part	Item no.
50	O-ring 16.0x2.0 NBR 70°Shore	321.120.000.014
66	Pressure Spring	311.045.000.013
67	Clamping sleeve	321.120.000.012
68	Clamping jaws (3 parts)	321.120.000.011
69	Guide sleeve	321.120.000.010
70	Nose piece 4,0 mm	321.120.000.124
71	Nose piece 4,8/5,0 mm	321.120.000.125
72	Nose piece 6,0 mm	321.120.000.126
73	Nose piece 6,4 mm	321.120.000.127
74	Mandrel collector	321.082.000.010



Extended mandrel collector

For the use with long blind rivets or blind rivets with an extended rivet mandrel.

321.221.000.065

Special accessory for different possibilities to optimize the discharge of mandrels is available at a higher rivet emergence.

Please ask for details on larger mandrel containers, foot controlled trigger or discharge boosts.