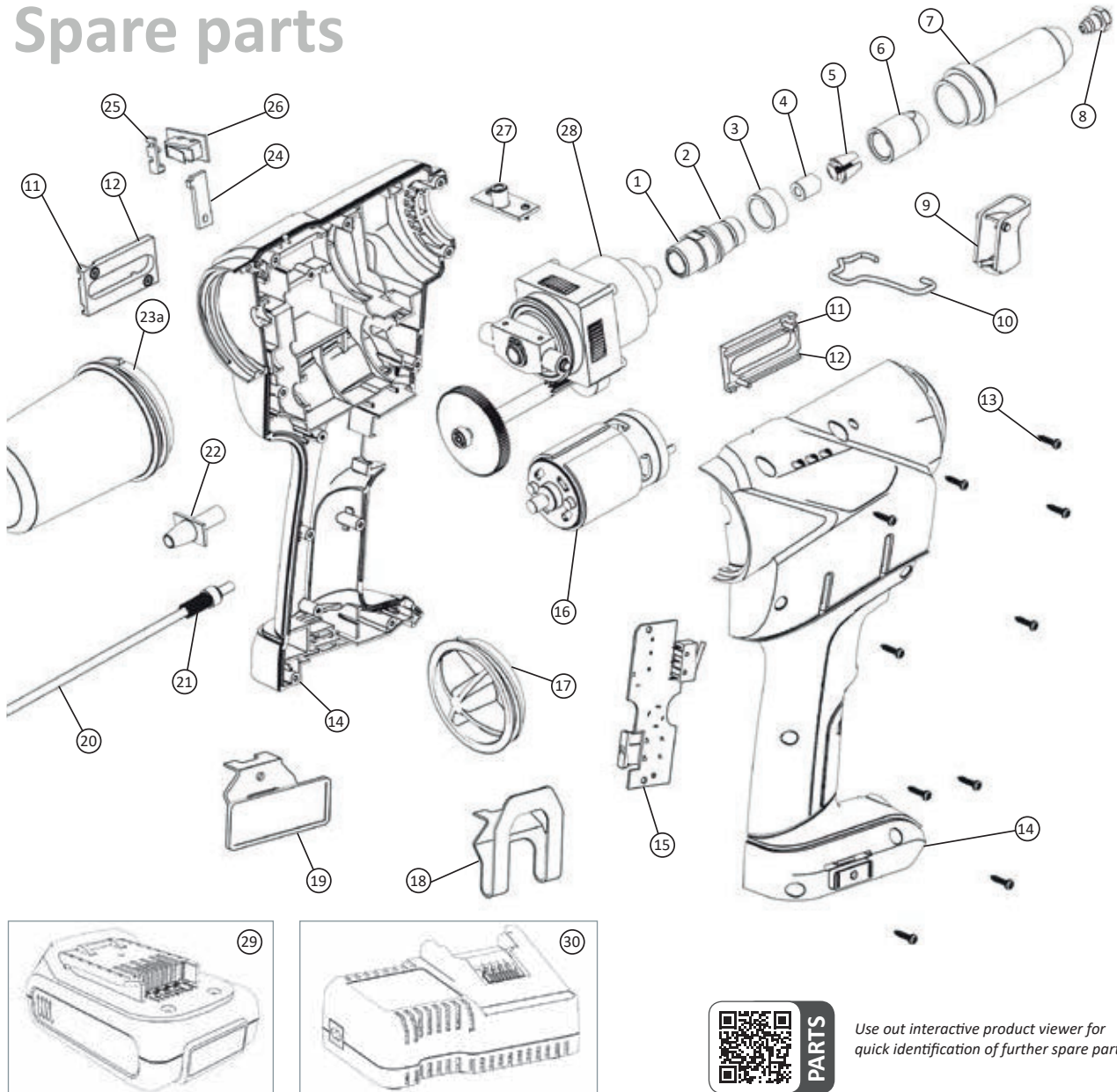


Spare parts



Use our interactive product viewer for quick identification of further spare parts.

Facts

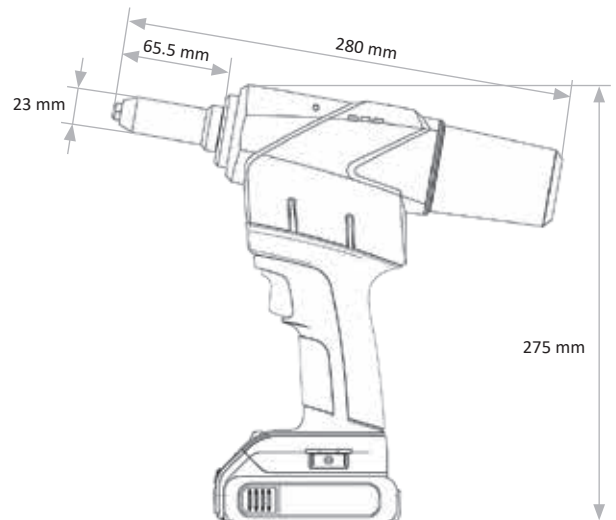


2.4	3.0	3.2	4.0	4.8	5.0	6.0	6.4	8.0
Aluminium								
Steel								
Stainless steel								
Copper alloys								

max. 3.4 mm < 30 min. 10,000 N

1.8 kg (incl. battery) 21 mm

RivdomONE 16V battery riveter incl. 16V/2.0 Ah battery (number depending on variant) with optical charge state indicator, 4x standard nosepiece in box, Rivdom-PLUS quick charger, mandrel container, belt clip, hanger and cover cap in L-Box with coloured sales sleeve.



Tool

320.401.000.000-010-1	RivdomONE16V incl. 1 x 16V/2.0 Ah battery in L-Boxx
320.401.000.000-020-1	RivdomONE16V incl. 2 x 16V/2.0 Ah battery in L-Boxx

Accessories

29	321.401.000.021	Li-Ion RivdomPLUS battery 16 V/ <u>2.0 Ah</u>
p. 189	321.401.000.022	Li-Ion RivdomPLUS battery 16 V/ <u>4.0 Ah</u>
30	321.500.000.001	Universal quick charger 220 V (12 V/16 V/20 V)
see below	321.500.000.003	Multiple charging station
see below	321.500.000.004	Adapter multiple charging station for 1 x RivdomPLUS battery
p. 189	321.300.100.072	Extended Front sleeve (165 mm) or blind rivets up to 4 mm
23a	321.200.100.031	Mandrel container S (5.5 cm)
23b	321.300.100.031	Mandrel container L (8.0 cm) -scope of delivery-
23c	321.401.000.030	Mandrel container L+ (8.0 cm)
23d	321.501.000.030	Mandrel container XL+ (11.0 cm)
10	321.401.000.029	Hanger -scope of delivery-
17	321.401.000.004	Cover cap -scope of delivery-
18	321.200.000.006	Belt clip -scope of delivery-
19	321.200.000.005	Name plate



Retension nosepieces available as options ensure that the rivet cannot fall out of the tool even in vertical working position and one hand remains free, e.g. to hold the part.

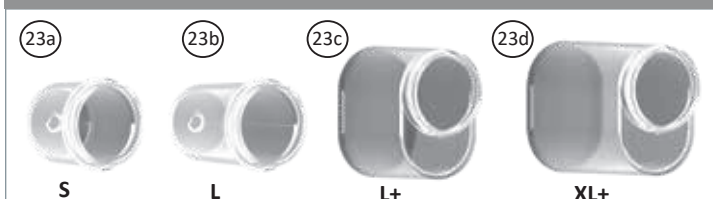
Spare and Wear Parts

1	321.300.100.054	Spacer
2	321.300.100.010	Scraper
3	321.300.100.069	Extension sleeve
4	321.300.100.017	Guide sleeve
5	321.070.000.241	Clamping jaws (1 set = 3 pcs.)
6	321.300.100.016	Clamping sleeve
7	321.300.100.015	Front sleeve
9	321.200.000.033	Trigger and pressure spring
11	321.300.100.038	Screw for bearing
12	321.300.100.007	Gear box bearing
13	321.300.100.041	Housing screws (1 set = 10 pcs.)
14	321.401.000.032	Housing (left + right)
15	321.401.000.044	Electronic assembly complete
16	321.401.000.001	Motor
20	321.300.100.049	Mandrel discharge tube
21	321.300.100.021	Pressure spring
22	321.300.100.043	Plastic tube
24	321.401.000.051	Mandrel safety switch - cover plate
25	321.401.000.050	Mandrel safety switch - lever and spring
26	321.401.000.052	Mandrel safety switch - switch and cabel
27	321.300.100.036	Magnet holder with magnet
28	321.401.000.000	Gear box complete
no fig.	321.300.100.039	Screw for Electronic assembly
no fig.	321.300.100.046	Mounting wrench

Nosepieces

8	321.070.000.240	Standard nosepiece 2.4 mm
	321.085.000.123	Standard nosepiece 3.0/3.2 mm
	321.085.000.124	Standard nosepiece 4.0 mm
	321.085.000.125	Standard nosepiece 4.8/5.0 mm
see info on the right top	321.401.000.132	Retension nosepiece 2.4 mm
	321.401.000.134	Retension nosepiece 3.0/3.2 mm
	321.401.000.136	Retension nosepiece 4.0 mm
	321.401.000.138	Retension nosepiece 4.8/5.0 mm
	321.103.932.070	Extended nosepiece (7mm) 3.0/3.2 mm
	321.103.940.075	Extended nosepiece (7mm) 4.0 mm
	321.103.950.070	Extended nosepiece (7mm) 4.8/5.0 mm
	321.103.932.200	Extended nosepiece (20mm) 3.0/3.2 mm
	321.103.940.200	Extended nosepiece (20mm) 4.0 mm
	321.103.950.200	Extended nosepiece (20mm) 4.8/5.0 mm
	321.085.000.511	Facade nosepiece 5.0 mm Head 11.0 mm
	321.085.000.514	Facade nosepiece 5.0 mm Head 14.0 mm
	321.085.000.516	Facade nosepiece 5.0 mm Head 16.0 mm
	361.121.008.401	Nosepiece FERRO®-BOLT blind rivets 4.8 mm
	321.103.716.052	Nosepiece for folding blind rivets 5.2 mm
	321.300.100.071	VARIO nosepiece

Container⁴



Charging⁴



Multiple charging station with interchangeable adapter system – suitable for VVG-PLUS batteries. Adapters for other manufacturers' batteries available on request.