

**Tool**

320.528.000.000-010-1	RivdomTWO 2.8 20V incl. 1 x 20 V/2,0 Ah battery in L-Boxx
320.528.000.000-020-1	RivdomTWO 2.8 20V incl. 2 x 20 V/2,0 Ah battery in L-Boxx

**Accessories**

321.500.000.021-0-1	Li-Ion RivdomPLUS battery 20V /2,0 Ah
321.500.000.022-0-1	Li-Ion RivdomPLUS battery 20 V/4,0 Ah
321.500.000.001-0-10	Universal quick charger 220 V (12 V/16 V/20 V)
321.300.100.031	Mandrel container L (8,0 cm) -scope of delivery-
321.401.000.030	Mandrel container L+
321.501.000.030	Mandrel container XL+

# TWO 2.8

**Nosepieces / Spare and Wear Parts**

321.528.000.066	Retension nosepiece 2.8 -6,4 mm-
321.528.000.067	Retension nosepiece 2.8 -7,8 mm-
321.528.045.080	Clamping jaws 2.8 (set)

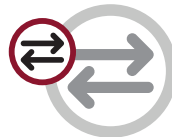
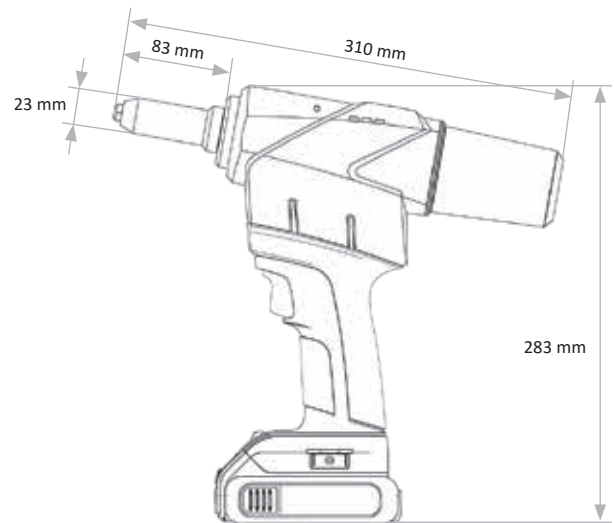
Equipment details and further standard accessories on the pages of the **RivdomTWO<sup>20V</sup>**

## Facts



2.4	3.0	3.2	4.0	4.8	5.0	6.0	6.4	8.0
							Aluminium	
							Steel	
							Stainless steel	
							Copper alloy	

- max. 6.1 mm
- < 30 min.
- 24,000 N
- 2.1 kg (incl. battery)
- 30 mm
- RivdomTWO2.8 20V battery riveter incl. 20 V/2.0 Ah battery (number depending on variant) with optical charge state indicator, 2x retension nosepiece in box, Rivdom-PLUS quick charger, mandrel container, rivet application plate, belt clip, hanger and cover cap in L-Boxx.



**STRUCTURAL FASTENERS**

The **contact force control** contributes to process reliability.

- **Health & safety**  
The setting process starts only from a predefined contact force so that triggering without a workpiece is not possible.
- **Quality assurance**  
The contact force on the workpieces ensures that the fastener and the components are positioned as defined.