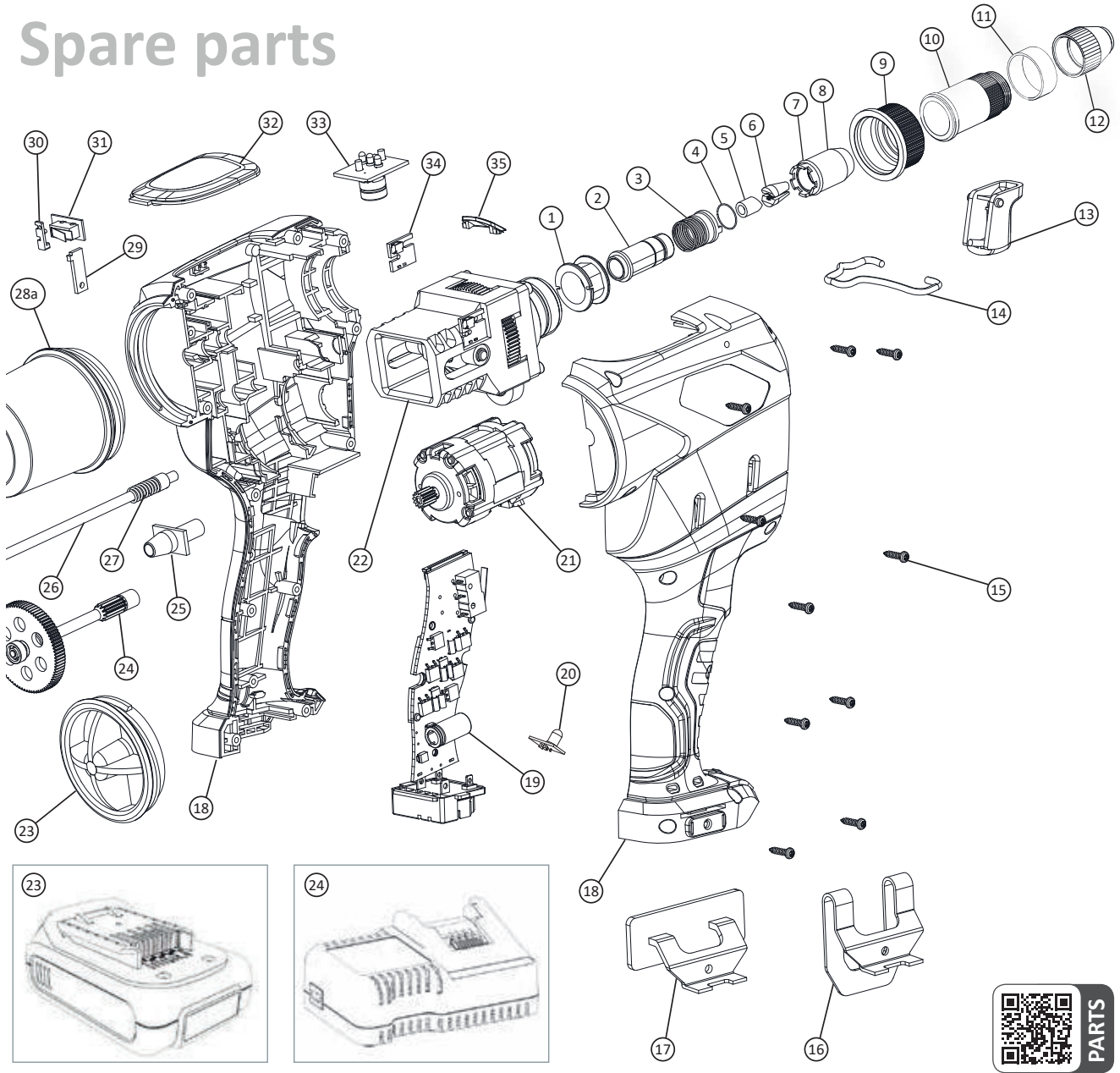


Spare parts



Facts



2.4	3.0	3.2	4.0	4.8	5.0	6.0	6.4	8.0
Aluminium								
Steel								
Stainless steel								
Copper alloys								



max. 3.4 mm



< 30 min.



8,500 N



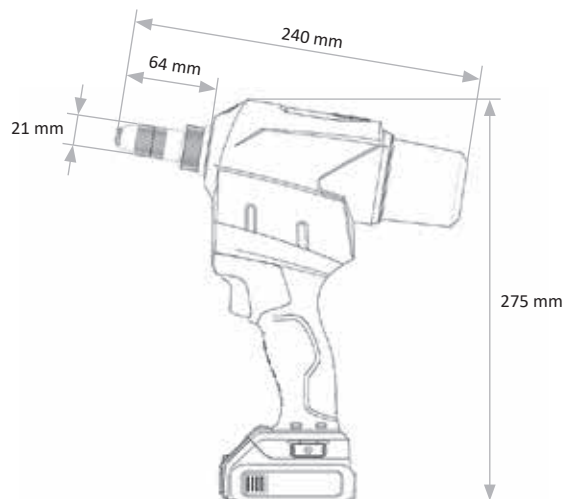
1.3 kg (incl. battery)



20 mm



RivdomZERO battery riveter incl. 12 V/2.0 Ah battery (number depending on variant) with optical charge state indicator, 4x standard nosepiece in box, Rivdom-PLUS quick charger, mandrel container, belt clip, hanger and cover cap in L-Boxx with coloured sales sleeve.



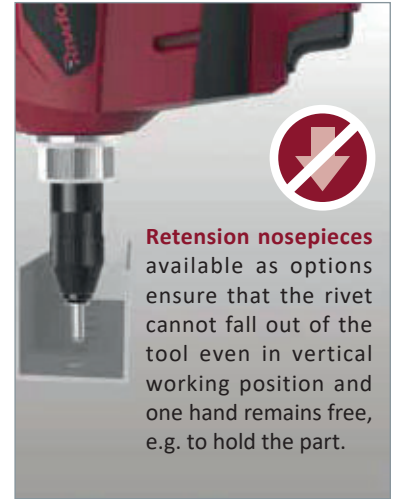
ZERO

Tool

320.210.000.000-010-1	RivdomZERO 12V incl. 1 x 12 V/2.0 Ah battery in L-Boxx
320.210.000.000-020-1	RivdomZERO 12V incl. 2 x 12 V/2.0 Ah battery in L-Boxx

Accessories

33	321.200.000.021	Li-Ion RivdomPLUS battery 12 V/2.0 Ah -scope of delivery-
p. 185	321.200.000.022	Li-Ion RivdomPLUS battery 12 V/4.0 Ah
34	321.500.000.001	Universal quick charger 200 V (12 V/16 V/20 V)
p. 185	321.200.000.072	Extended front sleeve 80 mm (available length 120 mm), extensions can be combined
see below	321.500.000.003	Multiple charging station
see below	321.500.000.004	Adapter multiple charging station for 1 x RivdomPLUS battery
28a	321.200.000.031	Mandrel container S (5.5 cm) -scope of delivery-
28b	321.300.100.031	Mandrel container L (8.0 cm)
28c	321.401.000.030	Mandrel container L+ (8.0 cm)
28d	321.501.000.030	Mandrel container XL+ (11.0 cm)
S. 201	321.200.000.018	Colored union ring (blue, gold, red, black)
14	321.200.000.029	Hanger -scope of delivery-
16	321.200.000.006	Belt clip -scope of delivery-
17	321.200.000.005	Name plate
23	321.401.000.004	Cover cap -scope of delivery-



Retension nosepieces available as options ensure that the rivet cannot fall out of the tool even in vertical working position and one hand remains free, e.g. to hold the part.

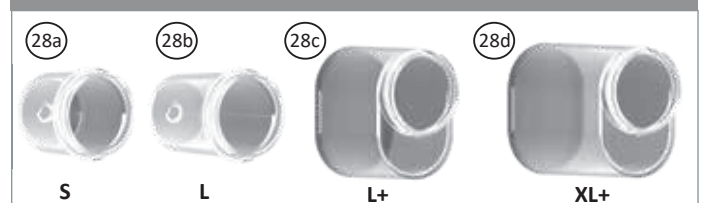
Spare and Wear Parts

1	321.200.000.020	Dummy-Sensorring
2	321.200.000.054	Spacer
3	321.200.000.055	Quick release ring + spring
4	321.200.000.056	Quick release c-ring
5	321.200.000.017	Guide sleeve
6	311.002.000.132	Clamping jaws (1 set = 2 pcs.)
7	321.200.000.010	Scraper
8	321.200.000.016	Clamping sleeve
9	321.200.000.018	Union ring (silver)
10	321.200.000.015	Front sleeve
11	321.200.000.019	Rubber for union ring
13	321.200.000.033	Trigger and pressure spring
15	321.300.100.041	Housing screws (1 set = 10 pcs.)
18	321.200.000.032	Housing (left and right)
19	321.210.000.044	Electronic assembly complete
no fig.	321.300.100.039	Screws for electronic assembly (1 set = 2pcs.)
20	321.200.000.040	LED
21	321.200.000.001	Motor BLDC
22	321.200.000.000	Gear box complete
24	321.200.000.003	Pinion shaft
25	321.200.000.043	Plastic tube
26	321.200.000.049	Mandrel discharge tube
27	321.200.000.014	Pressure spring
29	321.200.000.051	Mandrel safety switch - cover plate
30	321.200.000.050	Mandrel safety switch - lever and spring
31	321.200.000.052	Mandrel safety switch - switch and cabel
32	321.210.000.034	Info-Cover
33	321.210.000.037	Electronics with status LED
34	321.200.000.068	Hall-sensor + electronic
32	321.210.000.035	Hardcover

Nosepieces

12	321.200.000.122	Standard nose piece 2.4 mm
	321.200.000.123	Standard nose piece 3.0/3.2 mm
	321.200.000.124	Standard nose piece 4.0 mm
	321.200.000.125	Standard nose piece 4.8/5.0 mm
see info on the right top	321.200.000.132	Retension nose piece 2.4 mm
	321.200.000.134	Retension nose piece 3.0/3.2 mm
	321.200.000.136	Retension nose piece 4.0 mm
no fig.	321.200.932.070	Extended nosepiece (7mm) 3.0/3.2 mm
	321.200.940.070	Extended nosepiece (7mm) 4.0 mm
	321.200.950.070	Extended nosepiece (7mm) 4.8/5.0 mm
no fig.	321.200.932.200	Extended nosepiece (20mm) 3.0/3.2 mm
	321.200.940.200	Extended nosepiece (20mm) 4.0 mm
no fig.	321.200.950.200	Extended nosepiece (20mm) 4.8/5.0 mm
	321.200.000.511	Facade nosepiece 5.0 mm Head 11.0 mm
	321.200.000.514	Facade nosepiece 5.0 mm Head 14.0 mm
	321.200.000.516	Facade nosepiece 5.0 mm Head 16.0 mm
no fig.	321.200.000.524	Facade nosepiece 5.0 mm Head 24.0 mm
no fig.	321.200.008.401	Nosepiece FERRO®-BOLT blind rivets 4.8 mm

Container⁴



Charging⁴



Multiple charging station with interchangeable adapter system – suitable for RivdomPLUS batteries. Adapters for other manufacturers' batteries available on request.