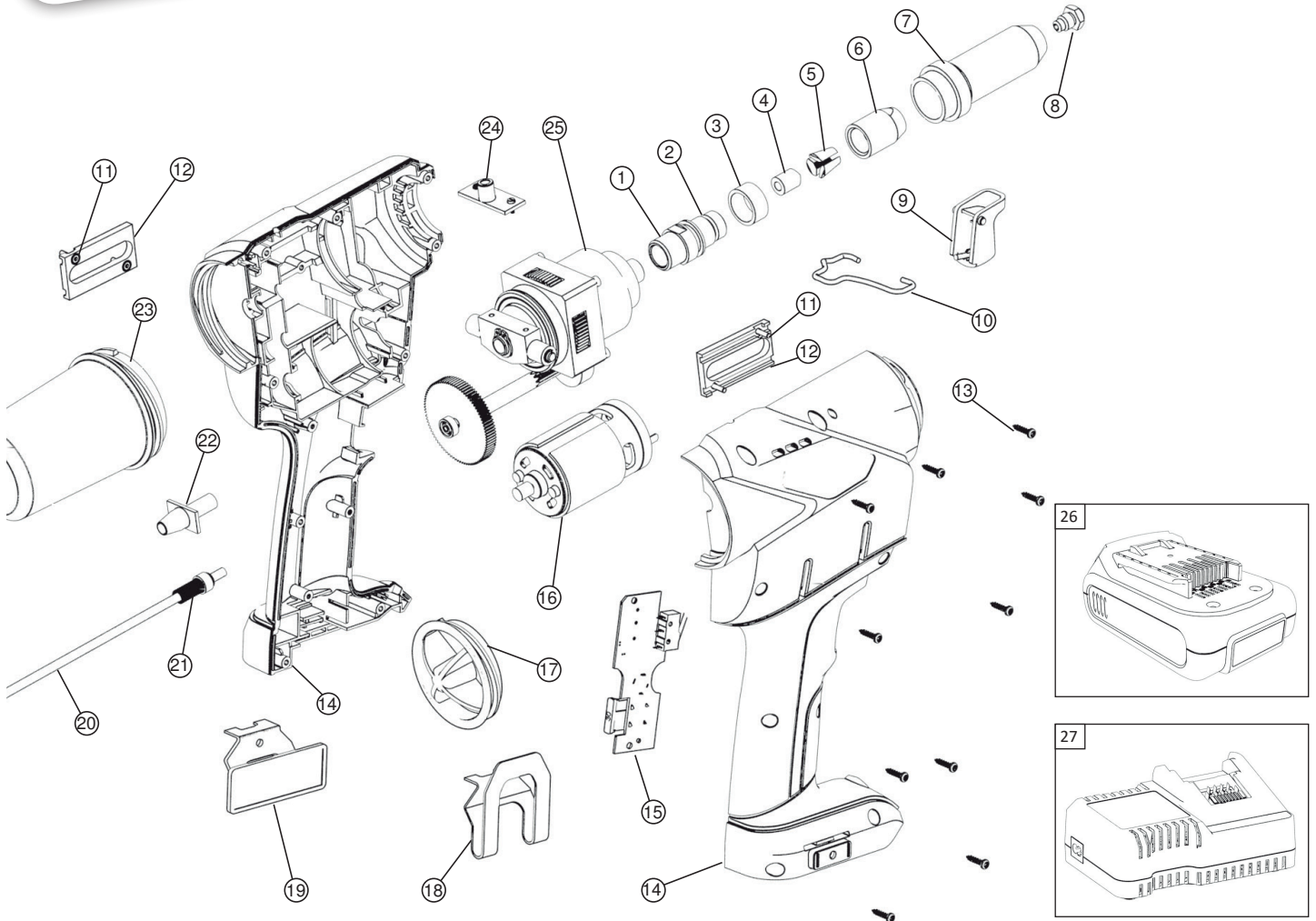




VVG Befestigungstechnik
Ein Unternehmen der HONSEL-Gruppe



1	321.300.100.054	Spacer
2	321.300.100.010	Scraper
3	321.300.100.069	Extension sleeve
4	321.300.100.017	Guide sleeve
5	321.070.000.241	Clamping jaws (1 set = 3 pcs.)
6	321.300.100.016	Clamping sleeve
7	321.300.100.015	Front sleeve
8a	321.070.000.240	Standard nosepiece 2.4 mm
8b	321.085.000.123	Standard nosepiece 3.0/3.2 mm
8c	321.085.000.124	Standard nosepiece 4.0 mm
8d	321.085.000.125	Standard nosepiece 4.8/5.0 mm
9	321.200.000.033	Trigger + pressure spring
10	321.401.000.029	Hanger
11	321.300.100.038	Screw for bearing
12	321.300.100.007	Gear box bearing
13	321.300.100.041	Housing screws (1 set = 10 pcs.)
14	321.401.000.032	Housing (left + right)
15	321.401.000.044	Electronic assembly complete

16	321.401.000.001	Motor
17	321.401.000.004	Cover Cap
18	321.200.000.006	Belt clip
19	321.200.000.005	Name plate
20	321.300.100.049	Mandrel discharge tube
21	321.300.100.021	Pressure spring
22	321.300.100.043	Plastic tube
23	321.300.100.031	Mandrel container long (8.0 cm)
23	321.200.000.031	Mandrel container short (5.5 cm)
24	321.300.100.036	Magnet holder with magnet
25	321.401.000.000	Gear box complete
no fig.	321.300.100.080	Spanner
no fig.	321.300.100.039	Screw for Electronic assembly
26	321.401.000.021	Li-Ion RivdomPLUS battery 16 V / 2.0 Ah
no fig.	321.401.000.022	Li-Ion RivdomPLUS battery 16 V / 4.0 Ah
27	321.500.000.001	Universal quick charger 220 V
no fig.	321.300.100.072	Conversion kit extended front sleeve