



RivdomONE, a **constant** in independent blind rivet handling up to 5.0 mm.

Rivdom

Rivdom. The cordless battery-powered riveter.

Since its successful launch in 2011, **Rivdom** is the **innovative and modern solution for independent blind rivet workmanship** - popular in craft and industry.

Rivdom convinces through outstanding performance values, its ergonomic design for comfortable daily handling, its large scope of delivery as well as interesting additional options and its extraordinary price-performance ratio.

All batteries are supplied with a **comfortable display for charge** and a **12V/24V car charger** for entire portable usage, is optional available as well.

Rivdom contains our entire experience of development and production of hand rivet tools, pneumatic tools and automation solutions - designed by Honsel Germany.

Unlimited freedom of mobility - everywhere.



RivdomTWO, the **POWERFUL** battery-powered riveter even for high-strength blind rivets up to 6.4 mm!!



RivdomONE¹

A constant in independent blind rivet handling

Get to know Rivdom and get excited!

Blind rivets up to 5 mm diameter of all materials are set dependably with the powerful motor and the optimal coordination.

The modern Li-Ion batteries are of a great capacity and quickly ready for use again after being charged with the supplied charger.

Useful details as the transparent collecting container, which enables the filling level of the torn-off pins to be always visible, or a LED lamp at the riveting point completes the strong appearance. Many satisfied customers are already convinced of the outstanding price/performance ratio.



	2,4	3,0	3,2	4,0	4,8	5,0	6,0	6,4	8,0
Aluminium	<div style="border: 1px solid gray; padding: 5px; transform: rotate(-5deg); display: inline-block;"> ALSO SUITABLE FOR THE PROCESSING OF FOLDING BLIND RIVETS UP TO 5.2 MM! </div>								
Steel									
Stainless Steel									
Copper alloys									
Scope of delivery standard version V1	<ul style="list-style-type: none"> • 4 Nose pieces in a box • 1 Mandrel collector • 1 Li-Ion Battery 14.4V/1.5Ah* • 1 Quick-charger 220V • Installation wrench 			Stroke: 21 mm *Capacity: Up to 2,000 pcs. Blind Rivets depending on type and material			Max. mandrel-ø: 3.4 mm Working power: 10,000 N Charging time 1,5Ah: <1 h 1.54 kg plus Battery (0.33kg/0.53 kg)		
Standard version Item No.: 320.400.000.000-001-10									

► Spare parts and further accessories on the following double page!



No.	Alternative versions	Item No.
V2	Rivdom ONE in case, incl. a set of nose pieces, mandrel collector, 2 pcs. battery 14.4V/1.5Ah , quick-charger	320.400.000.000-00181-1
V3	Rivdom ONE in case, incl. a set of nose pieces, mandrel collector, 1 pc. battery 14.4V/3.0Ah , quick-charger	320.400.000.000-00182-1
V4	Rivdom ONE in case, incl. a set of nose pieces, mandrel collector, 1 pc. battery 14.4V/1.5Ah , 1 pc. battery 14.4V/3.0Ah , quick-charger	320.400.000.000-00183-1
V5	Rivdom ONE in case, incl. a set of nose pieces, mandrel collector, 1 pc. battery 14.4V/1.5Ah , charger 12V/24V	320.400.000.000-00184-1
V6	Rivdom ONE in case, incl. a set of nose pieces, mandrel collector, 2 pcs. battery 14.4V/3.0Ah , quick-charger	320.400.000.000-00186-1



Plastic box for nosepieces and clamping jaws* (* not included in delivery)



Optical capacity indicator on each battery



Powerful Li-Ion 1,5 Ah battery, optionally 3,0 Ah

► **Special nose pieces on page 209**



LED illuminated working area



Premium quick charger



Sturdy, proven and safe.
Transparent mandrel collector



Brilliant ergonomics, low weight, gummed grip, stable standing position.



L-BOXX

The innovative packaging solution with added value. As an option Rivdom ONE is now also available in the SORTIMO L-BOXX.



sales packaging L-BOXX

No.	Alternative versions in L-Boxx	Item No.
L1	Rivdom ONE in L-Boxx incl. a set of nose pieces, mandrel collector, 1 pc. battery 14.4 V/1.5Ah , quick-charger and mounting wrench	320.400.000.000-100-10
L2	Rivdom ONE in L-Boxx incl. a set of nose pieces, mandrel collector, 2 pcs. battery 14,4 V/1,5Ah , quick-charger and mounting wrench	320.400.000.000-10081-1
L3	Rivdom ONE in L-Boxx incl. a set of nose pieces, mandrel collector, 1 pc. battery 14,4V/3,0Ah , quick-charger and mounting wrench	320.400.000.000-10082-1

All versions even available in the deep-drawn part only, suitable for existing Sortimo boxes.



Extended front sleeves

RivdomONE¹

Perfect for low-lying riveting positions



Particularly low-lying riveting positions can be excellently reached by the extended front sleeves.

These are immediately available from stock in a length of 165 mm and can be easily mounted on existing equipment.

The extremely small diameter of 20 mm makes processing possible even in very narrow, low-lying positions.

Blind rivets with extended mandrels are not necessary!



Name	Item-No.
extended front sleeve	321.300.100.072

Vario Nose Piece

RivdomONE¹

ALL IN ONE. THE VARIO NOSE PIECE.

One Nose Piece with diameters of 2.4 mm, 3.0/3.2 mm, 4.0 mm and 4.8/5.0 mm for a quick and easy replacement..



Name	Item No.
Vario Nose Piece	321.300.100.071

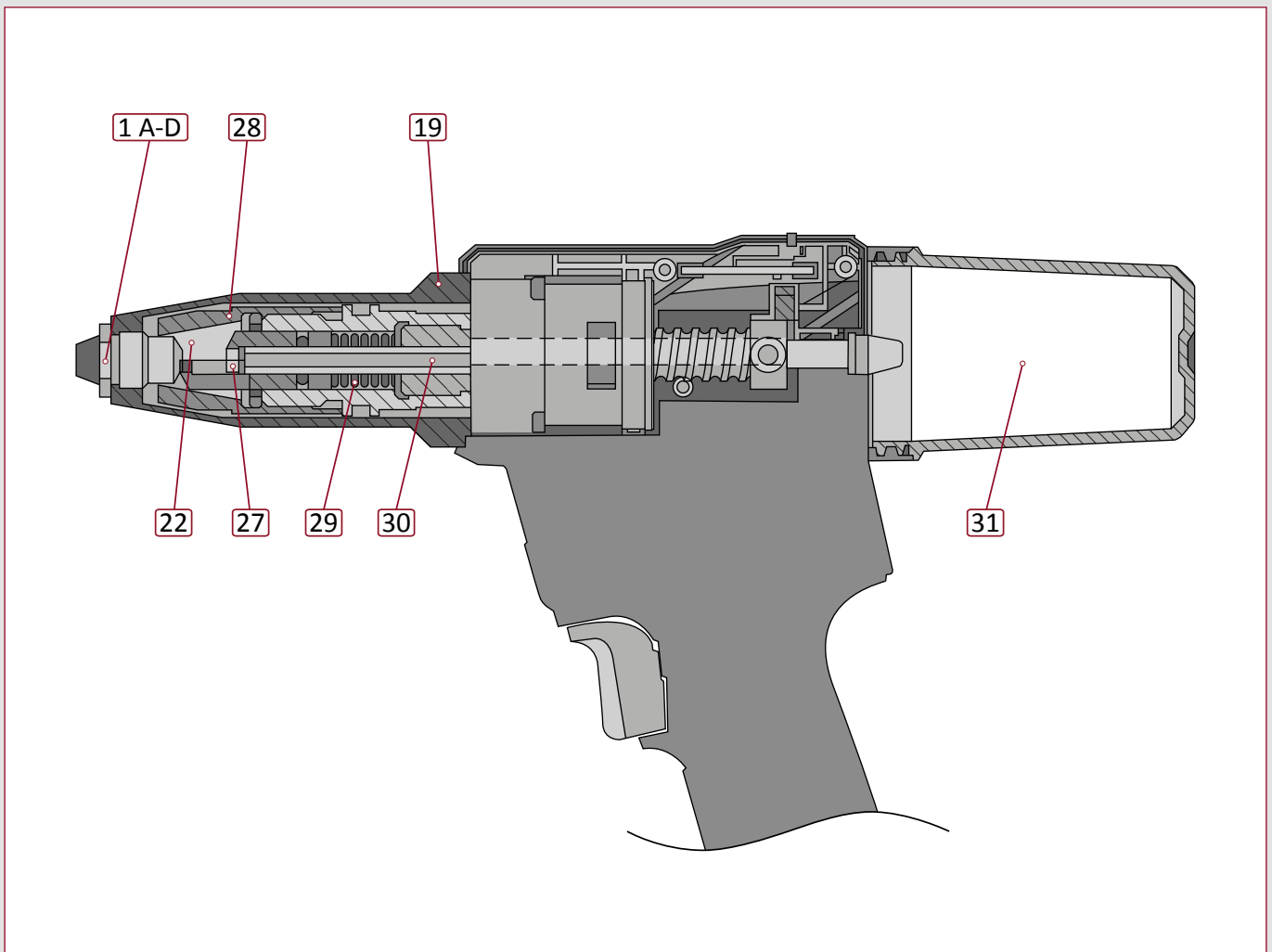


Retention Nose Piece

Due to the special design, retention nose pieces avoid the loosening of the rivet in an upright working position.

Name	Item No.
Retention Nose Piece 2,4 mm	321.300.100.068
Retention Nose Piece 3,0/3,2 mm	321.300.100.062
Retention Nose Piece 4,0 mm	321.300.100.064
Retention Nose Piece 4,8/5,0 mm	321.300.100.063

Spare parts for RivdomONE



No.	Spart part	Item No.
1A	Nose piece 2.4 mm	321.070.000.240
1B	Nose piece 3.0/3.2 mm	321.085.000.123
1C	Nose piece 4.0 mm	321.085.000.124
1D	Nose piece 4.8/5.0 mm	321.085.000.125
19	Front sleeve (suitable for retension nose pieces)	321.300.100.015-001-1
22	Clamping jaws (3 parts)	321.070.000.241
27	Guide sleeve	321.300.100.017-001-1
28	Clamping Sleeve	321.300.100.016
29	Pressure spring	321.300.100.021
30	Mandrel discharge tube	321.300.100.049
31	Mandrel collector transparent	321.300.100.031

Accessories	Item No.
Li-Ion battery 14.4V/1.5Ah	321.400.000.022-0-1
Li-Ion battery 14.4V/3.0Ah	321.400.000.023-0-1
Quick Charger 220V	321.400.000.001-0-1
Charger 12V/24V	321.400.000.001-0-20
Box for nose pieces -empty-	321.300.100.070-0-1



You can also use our interactive product viewer for fast search for the correct spare part.

Special nose pieces on page 209.





Let yourself be inspired by a true professional!

Rivdom TWO² A POWERFULL unit for the BIG jobs.

Rivdom®TWO - the powerful battery-powered riveter for blind rivets up to 6.4 mm diameter of all materials - also for high-strength versions!

With a setting force of 20.000 N and a very big stroke of 30 mm not only standard blind rivets and high-strength versions like FERRO®-Bulb and FERRO®-Bolt can be set quickly, dependant and without re-setting as well as folding blind rivets or ring bolts.

The most modern motor technology.

The newly developed brushless BLDC direct current motor presents itself with an almost wearless, durable life cycle. Low power consumption and reduced heat build-up increase efficiency and effectiveness as well as batterie runtime besides prolonged operating intervals. High drives at quite running at the same time and the integration of the tool's entire electronics into the motor can be realized. The resulting saving of weight paired with the well-known perfect ergonomics guarantees a very comfortable handling.



Designed by HONSEL | Germany

L-BOXX®

The innovative overvalue packaging solution.

RivdomTWO is available in the widely spread SORTIMO L-BOXX system or only in a deep-drawn-part - fitting exactly into your already existing Sortimo boxes! Both versions are available with one or two 20 V Li-Ion batteries - wrapped by a solid cardboard.



2,4	3,0	3,2	4,0	4,8	5,0	6,0	6,4	8,0	
			Aluminium						
			Steel						
			Stainless steel						
			Copper alloys						
Scope of delivery standard version V1 in L-Boxx				Stroke: 30 mm		Max. mandrel-ø: 4.8 mm			
<ul style="list-style-type: none"> • 4 Nose pieces in a box • 1 Mandrel collector • 1 Li-Ion Battery 20V/2.0Ah* • 1 Quick-charger 220V • Installation wrench 				*Capacity: Up to 2,000 pcs. Blind Rivets depending on type and material		Working power: 20.000 N			
				CE		Charging time 2.0Ah: max. 30 minutes			
						1.63 kg plus battery (0.37kg)			
Standardversion									
Item No. 320.500.000.000-002-10									

► Spare parts and additional accessories on the following double page!

No.	Alternative versions	Item No.
V2	Rivdom TWO in L-Boxx, incl. a set of nose pieces, mandrel collector, 2 pcs battery 20V/2,0Ah, quick charger	320.500.000.000-00281-1
V3	Rivdom TWO in deep-drawn-part, incl. a set of nose pieces, mandrel collector, 1 pcs battery 20V/2,0Ah, quick charger	320.500.000.000-001-10
V4	Rivdom TWO in deep-drawn-part, incl. a set of nose pieces, mandrel collector, 2 pcs battery 20V/2,0Ah, quick charger	320.500.000.000-00181-1

Automatic and manual return

When using the **manual return**, the trigger remains pressed until the rivet is sheared. When the trigger is released, the tool moves back to the front starting position. In addition, RivdomTWO offers an **automatic return mode**. Here the trigger merely has to be pressed slightly to start the automatic setting process. Immediately after the drop in the measured force with the shearing of the rivet mandrel, the tool moves back automatically to the starting position to **keep the riveting cycle as short as possible**.



“You simply notice that a great deal of experience in riveting technology has gone into the development of this tool... All in all – just perfect for me!”



Plastic box for nose pieces and clamping jaws* (* not included in the delivery)

► **Special nose pieces on page 209.**



Suspension bracket



Powerful Li-Ion 2.0 Ah battery



A cover cap allows the working in narrow installation situations without the mandrel collector.



Mandrel protection lock inside the tool.



Sturdy, proven and safe. Transparent mandrel collector.



LED illuminated working area.



Brilliant ergonomics, low weight, gummed comfort grip, safe base.



Optical capacity indicator on every battery - for checking the charging conditions while operating!

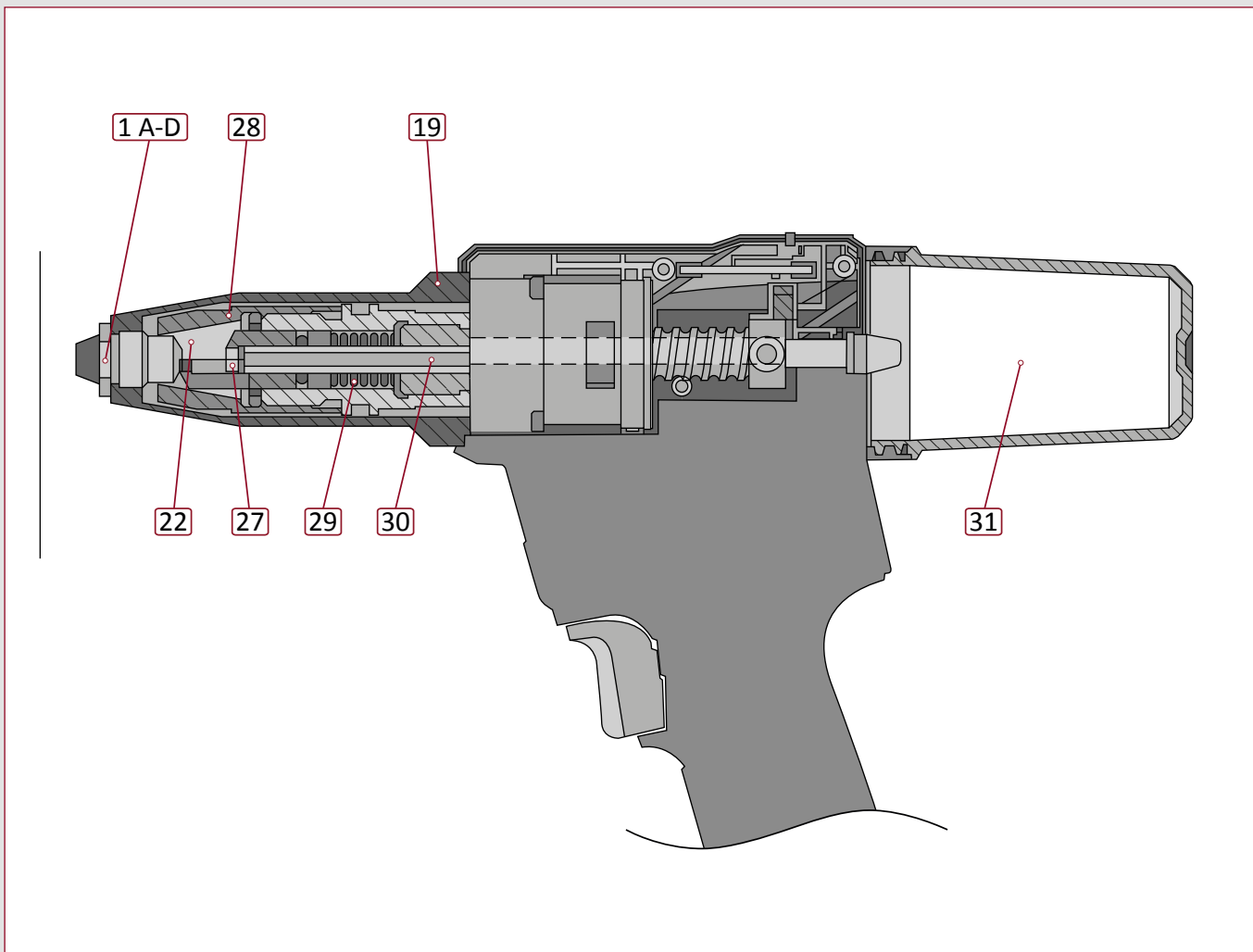


Pioneering battery charging technology *plus*

A new developed electronic quick-charger which **identifies the utilized batteries automatically** is introduced with RivdomTWO² for the first time! 16 V, 18 V and 20 V batteries can be charged with the same charger in the future. The charging time of the new Rivdom batteries sets new standards too: The 2.0 Ah Li-Ion battery is **completely charged in about 30 minutes!**



Spare Parts for RivdomTWO



No.	Spare part	Item No.
1A	Nose piece 4.0 mm	321.120.000.124
1B	Nose piece 4.8/5.0 mm	321.120.000.125
1C	Nose piece 6.0 mm	321.120.000.126
1D	Nose piece 6.4 mm	321.120.000.127
19	Front sleeve	321.300.200.015
22	Clamping jaws (3 parts)	321.120.000.011
27	Guide sleeve	321.300.200.017
28	Clamping sleeve	321.120.000.012
29	Pressure spring clamp mechanism	321.300.200.021
30	Mandrel discharge tube	321.300.200.049
31	Mandrel collector transparent	321.300.100.031

Accessories	Item No.
Li-Ion battery 20V/2,0Ah	321.500.000.021-0-1
Quick Charger 220V	321.500.000.001-0-1



Retension Nose Piece

Due to the special design, retension nose pieces avoid the loosening of the rivet in an upright working position.

Name	Item No.
Retension nose piece 4.0 mm	321.300.200.064
Retension nose piece 4.8/5.0 mm	321.300.200.063
Retension nose piece 6.0 mm	321.300.200.065
Retension nose piece 6.4 mm	321.300.200.066



For handling various blind rivets like high-strength FER0®-BOLT blind rivets **special nose pieces** are needed which in this case ensure a **special interlocking of the mandrel**. We offer solutions also for **inside or deep-seated rivet joints** or **movable rivet connections**.

Next to the available from stock versions as shown below, we are able to produce special nose pieces for any blind rivet measurement and customer-related application due to high stock of blanks.

Extended nose pieces 7 mm (diameter 7mm)

Battery riveter RivdomONE / BZ 103 A (and precursors)

Blind rivets 3.0/3.2 mm	321.103.932.070
Blind rivets 4.0 mm	321.103.940.075
Blind rivets 4.8/5.0 mm	321.103.950.070



Battery riveter RivdomTWO / BZ 123 A (and precursors)

Blind rivets 4.0 mm	321.123.940.070
Blind rivets 4.8/5.0 mm	321.123.950.070
Blind rivets 6.0 mm	321.123.960.070
Blind rivets 6.4 mm	321.123.964.070

Extended nose pieces 20 mm (diameter 7mm)

Battery riveter RivdomONE / BZ 103 A (and precursors)

Blind rivets 3.0/3.2 mm	321.103.932.200
Blind rivets 4.0 mm	321.103.940.200
Blind rivets 4.8/5.0 mm	321.103.950.200



Battery riveter RivdomTWO / BZ 123 A (and precursors)

Blind rivets 4.0 mm	321.123.940.200
Blind rivets 4.8/5.0 mm	321.123.950.200
Blind rivets 6.0 mm	321.123.960.200
Blind rivets 6.4 mm	321.123.964.200

! Please note: blind rivets with extended mandrels are necessary for working with extended 20 mm nose pieces.

Ideally suited for this purpose are e.g. the new OPTO® blind rivets on page 60.

Nose pieces FER0®-BOLT blind rivets

FER0®-BOLT blind rivets 4.8 mm	361.121.008.401
FER0®-BOLT blind rivets 6.4 mm	361.121.008.601



CE-nose pieces for CERTO® blind rivets

Battery riveter RivdomONE / BZ 103 A (and precursors)

CERTO® blind rivets 3.2 mm	321.070.000.240
CERTO® blind rivets 4.0 mm	321.085.009.124
CERTO® blind rivets 4.8/5.0 mm	321.085.009.125



Facade nose pieces for 5mm large domehead blind rivets

Battery riveter RivdomONE / BZ 103 A (and precursors)

Large domehead blind rivets - head 11mm	321.085.000.511
Large domehead blind rivets - head 14mm	321.085.000.514



Battery riveter rivdomTWO / BZ 123 A (and precursors) / BZ 70+72

Large domehead blind rivets - head 11mm	321.120.000.511
Large domehead blind rivets - head 14mm	321.120.000.514
Large domehead blind rivets - head 16mm	321.120.000.516

Nose pieces for folding blind rivets

Battery riveter RivdomONE / BZ 103 A (and precursors)

Folding blind rivets 5.2 mm	321.103.716.052-0-1
-----------------------------	---------------------



Battery riveter RivdomTWO / BZ 123 A (and precursors)

Folding blind rivets 5.2	321.123.716.052-0-1
Folding blind rivets 6.3	321.123.716.063-0-1